

SPECIFICATIONS

ELECTRICAL CHARACTERISTICS:

Contact Current Rating:3 Amperes.
 Dielectric Withstanding Voltage: AC 1000/60sec.r.m.s.
 Insulation Resistance:500 Medohms Minimum.at DC 500V.
 Contact Resistance:25 Milliohms Maximum.
 Operating Temperature:-55°C to+105°C.

MECHANICAL CHARACTERISTICS:

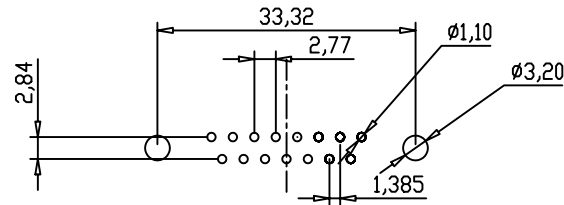
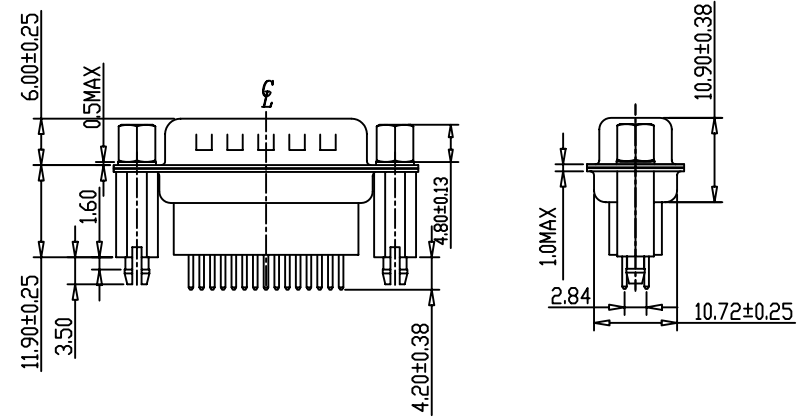
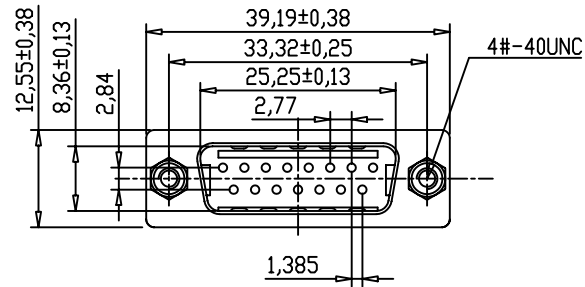
Contact Insertion Force:341 g.Maximum.
 Contact Separation Force:21 g.Minimum.
 Grounding Screw Torque:3 Kg.Minimum.

MATERIALS:

Contacts:Brass.
 Insulator: PBT UL 94V-0 Rated.
 Shell: Cold Roller Steel.
 Grounding Screw Torque:Brass

FINISHES:

Contact:Gold Flash.
 Shell:Nickel Plated.



RECOMMENDED P.C.B LAYOUT

RoHS Compliant

TOLERANCES ARE



煜倫股份有限公司

www.morethanall.com

DRAWING BY CY

CHECKED BY GENIUS

UNIT / mm SCALE 1 : 1

DATE

SIZE A4

X, ±
 .X ±
 .XX ±
 .XXX ±
 ANG ±

PJECTION

照片框

ORDER INFORMATION

DCD109-PSZJ-15-LF

SERIES | LEADFREE
 | 15 WAY
 | JACKSCREW
 MALE | CLIP
 | SEMI GOLD

DESCRIPTION: D-SUB CONNECTOR CRIMP TYPE