

## SPECIFICATIONS

### ELECTRICAL CHARACTERISTICS:

Contact Current Rating: 3 Amperes.  
 Dielectric Withstanding Voltage: AC 1000/60sec.r.m.s.  
 Insulation Resistance: 500 Medohms Minimum.at DC 500V.  
 Contact Resistance: 25 Milliohms Maximum.  
 Operating Temperature: -55°C to +105°C.

### MECHANICAL CHARACTERISTICS:

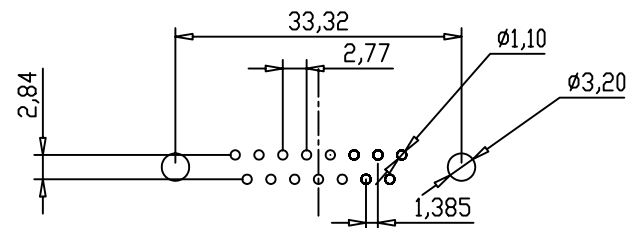
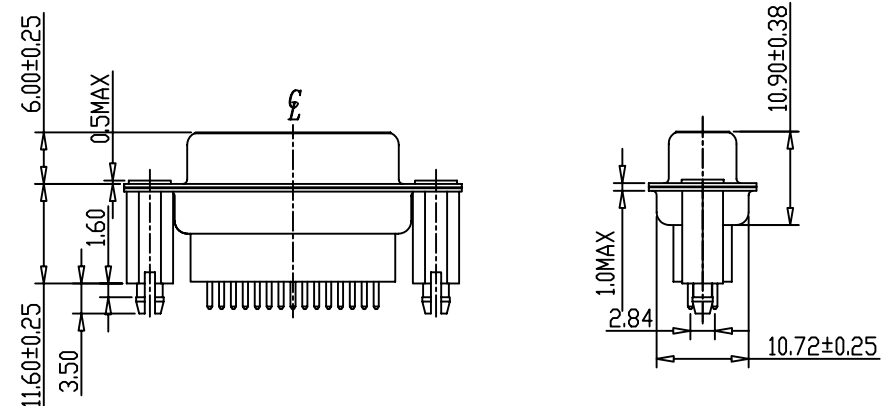
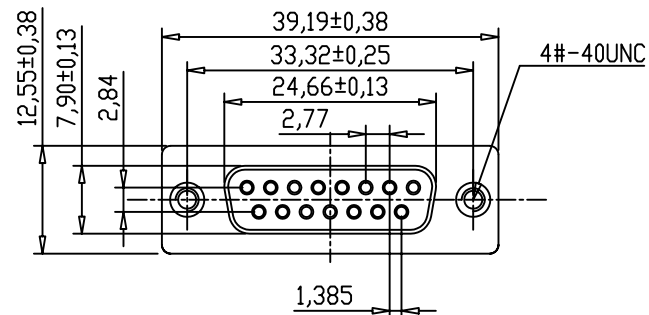
Contact Insertion Force: 341 g.Maximum.  
 Contact Separation Force: 21 g.Minimum.  
 Grounding Screw Torque: 3 Kg.Minimum.

### MATERIALS:

Contacts: Brass.  
 Insulator: PBT UL 94V-0 Rated.  
 Shell: Cold Roller Steel.  
 Grounding Screw Torque: Brass

### FINISHES:

Contact: Gold Flash.  
 Shell: Nickel Plated.



ℓ

RECOMMENDED P.C.B LAYOUT

RoHS Compliant

TOLERANCES ARE

**MORETHANALL**  
 PCB CONNECTORS  
 Cable ASSEMBLIES

煜倫股份有限公司

www.morethanall.com

DRAWING BY CY

CHECKED BY GENIUS

UNIT / mm

SCALE 1 : 1

DATE

SIZE A4

PJECTION

X, ±  
 .X ±  
 .XX ±  
 .XXX ±  
 ANG ±

照片框

ORDER INFORMATION

DCD106-SSZ-15-LF

SERIES | LEADFREE  
 | 15 WAY  
 | CLIP  
 | SEMI GOLD  
 FEMALE

DESCRIPTION: D-SUB CONNECTOR CRIMP TYPE