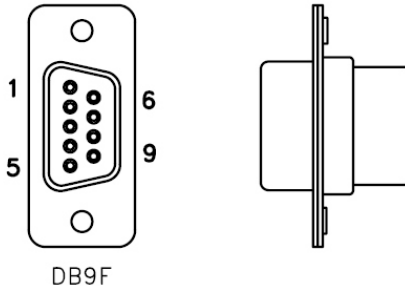
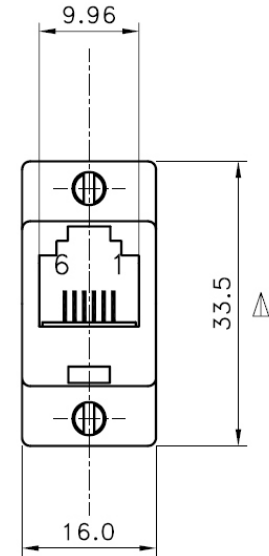
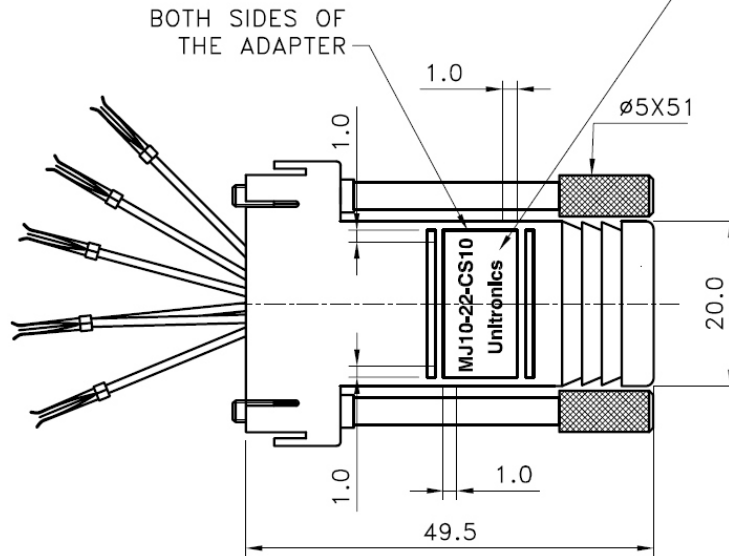
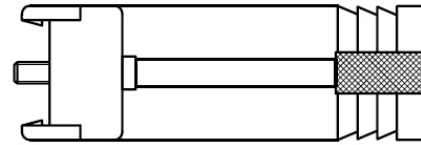


NOTES:

- 1) DB09F WITH MODULAR JACK 6P6C  
3μ" ABS 94V-2.  
COLOR: GREY
- 2) UL #1061 26AWG 75MM.
- 3) GOLD WIRE: 13MM, 15MM.

**MJ10-22-CS10**  
**Unitronics**

COLOR	DB9F	P1
RED	3	3
GREEN	2	4
BLUE	7	6
BLACK	5	2
YELLOW	5	5
WHITE	4	1



**DBRJ-FA76-0966-LF**  
**LEADFREE**

**RoHS Compliant**

**MORETHANALL**  
CONNECTORS  
ASSEMBLIES

PART NO. **DBRJ-FA76-0966**

DWG NO. **DBRJ-FA76-0966**

CHECKED BY CY

TOLERANCES ARE

DESCRIP TION:

FILE NO.

DRAWING BY

.X ± 0.2  
.XX ±  
.XXX ±  
AWG

AREA

REVISIONS

HK

DATE

煜倫股份有限公司

UNIT / mm

SCALE 1:1

PROJECTION

