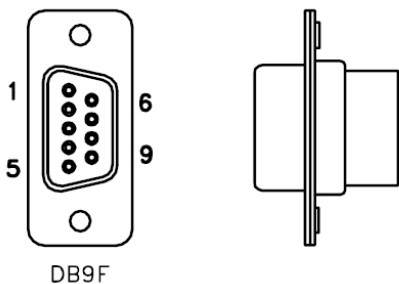
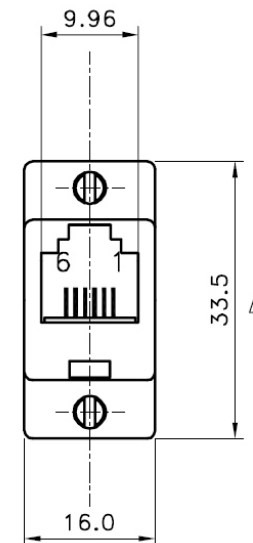
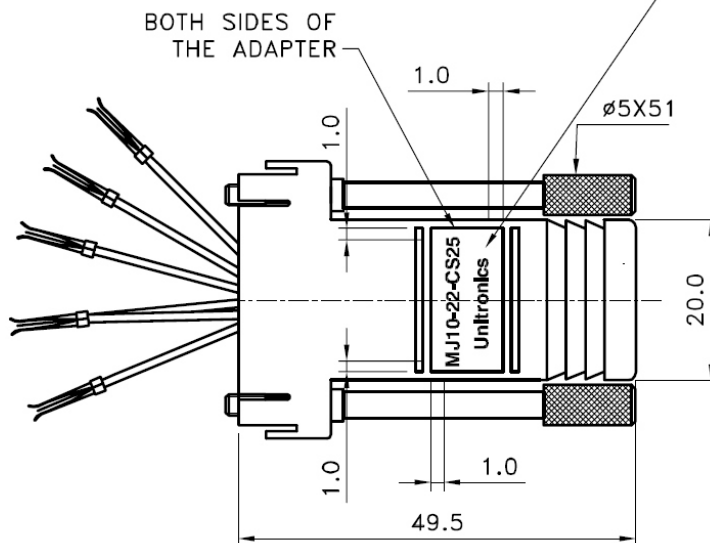
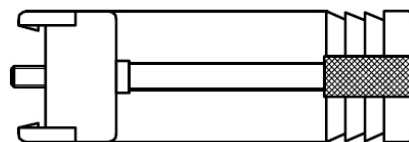


NOTES:

- 1) DB09F WITH MODULAR JACK 6P6C
3μ" ABS 94V-2.
COLOR: GREY
- 2) UL #1061 26AWG 75MM.
- 3) GOLD WIRE: 13MM, 15MM.

COLOR	DB9F	P1
RED	3	3
GREEN	2	4
BLUE	6	6
BLACK	5	2
YELLOW	5	5
WHITE	4	1

MJ10-22-CS25
Unitronics



DBRJ-FA66-0966-LF
LEADFREE

RoHS Compliant



PART NO. DBRJ-FA66-0966		CHECKED BY CY		TOLERANCES ARE		DESCRIP TION:					
DWG NO. DBRJ-FA66-0966		DRAWING BY		.X ± 0.2 .XX ± .XXX ± AWG							
FILE NO.		PROJECTION		AREA		REVISIONS		HK		DATE	
UNIT / mm	SCALE 1:1										

煜倫股份有限公司