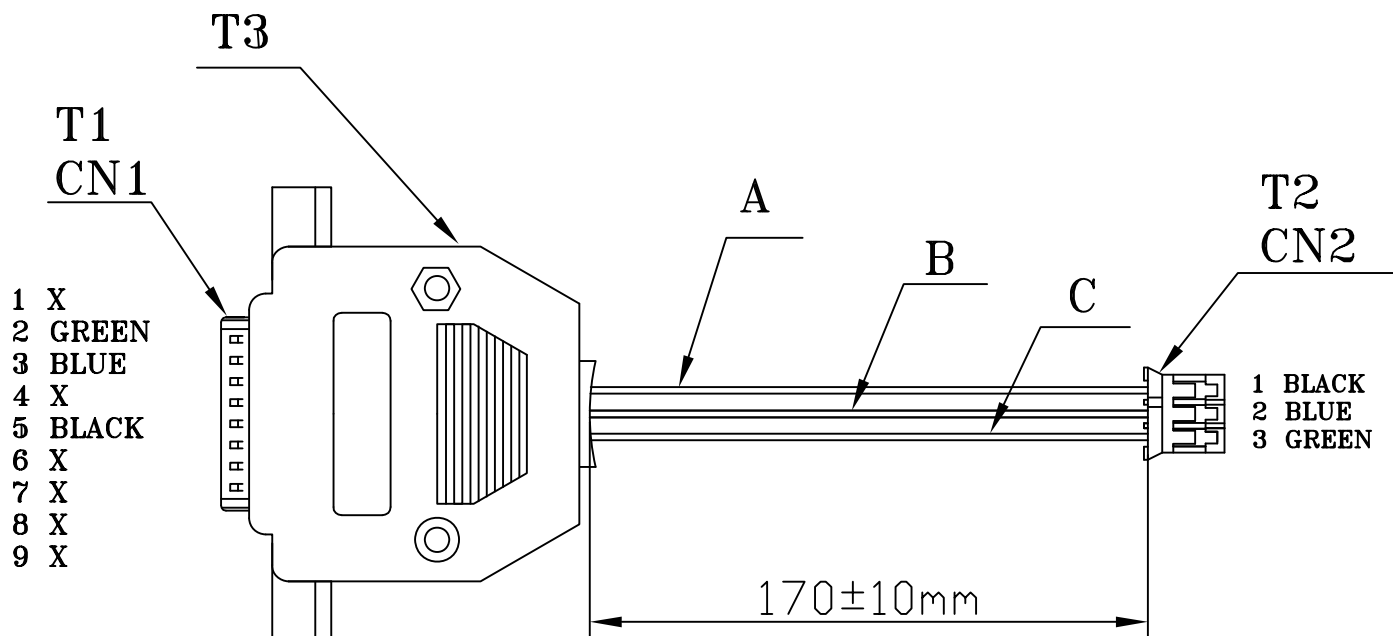


1 2 3 4 5 6 7 8 9 0

J  
I  
H  
G  
F  
E  
D  
C  
B  
A



- 1 X
- 2 GREEN
- 3 BLUE
- 4 X
- 5 BLACK
- 6 X
- 7 X
- 8 X
- 9 X

- 1 BLACK
- 2 BLUE
- 3 GREEN

170±10mm

A	UL1007 #28 BLACK
B	UL1007 #28 BLUE
C	UL1007 #28 GREEN
T1*3	DS-PS-09
T2*3	PH-T-24
CN1	HOUSING/ DH-G1-09
CN2	HOUSING/ PH-H-03 PH=2.0mm
T3	快速殼 含螺絲鐵片

DBPH-090328-E17C-LF  
LEADFREE

RoHS Compliant



PART NO. DBPH-090328-E17C

DWG NO. DBPH-090328-E17C

FILE NO.

UNIT / mm

SCALE 1:1

CHECKED BY CY

DRAWING BY

PROJECTION

TOLERANCES ARE

.X ± 0.2  
.XX ±  
.XXX ±  
AWG

DESCRIPTION:

AREA	REVISIONS	HK	DATE
------	-----------	----	------

煜倫股份有限公司