

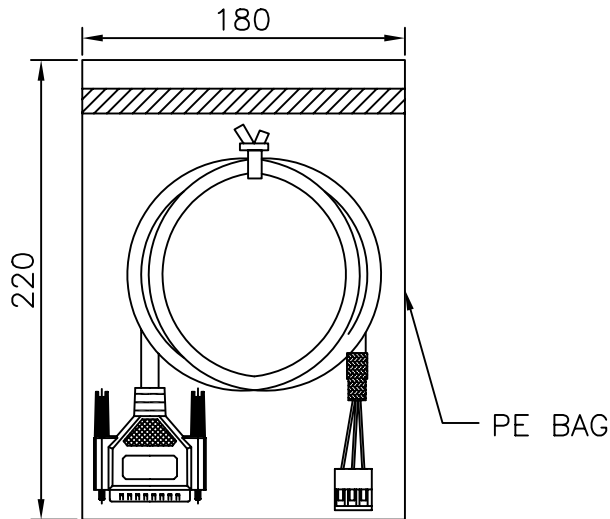
P1

P2

PACKING

PIN OUT

P1	COLOR	P2
4	BLACK	1
3	BROWN	2
12	RED	3
2	ORANGE	4
20	YELLOW	6



ITEM	DESCRIPTION	REMARK
1	D-SUB SOLDER TYPE MALE 25P WHITE INSULATOR	
2	2.0mm MINI LATCH Double rows HOUSING & TERMINAL	
3	ROUND CABLE NO UL 28AWG*5C OD:5.5 COLOR:BLACK	
4	HEAT SHRINK TUBE OD:5.5 COLOR:BLACK	
5	45P PVC MOLDING COLOR:BLACK	

MORETHANALL
CONNECTORS
ASSEMBLIES

煜倫有限公司

PART NO. DBMV-25B3-E3F

DWG NO. DBMV-25B3-E3F

FILE NO.

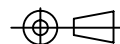
UNIT / mm

SCALE 1:1

CHECKED BY CY

DRAWING BY

PROJECTION



TOLERANCES ARE

.X ± 0.2
.XX ± 0.15
.XXX ±
AWG

DESCRIPTION:

ROUND CABLE MOLDING

AREA

REVISIONS

HK

DATE