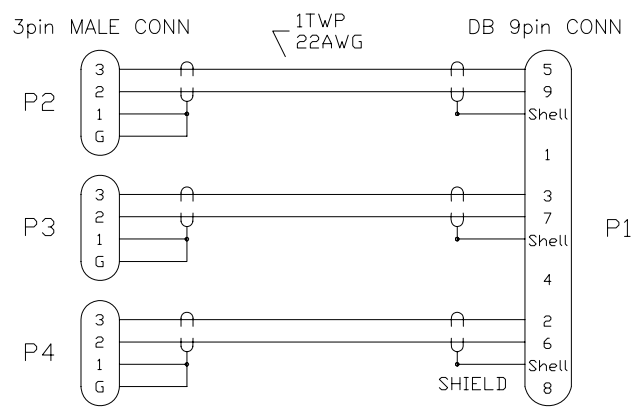


D-SUB 9 PIN  
PLUG FEMALE

P1

DBMIC-09C3-A60C-LF  
LEADFREE  
RoHS Compliant

CABLE WIRING



NOTES:

- TEST FOR CONTINUITY, OPENS AND SHORTS.
- TAG WITH PART NUMBER AND REVISION PER BOM, USING LABEL OR EQUIVALENT (IN MIDDLE OF THE CABLE APPROX.)
- PACKAGE FOR PROTECTION AGAINST DAMAGE DURING SHIPPING AND HANDLING.
- PRINT LABEL ITEM 19 OR EQUIVALENT, APPLY THE LABEL ON END OF EACH CABLE SECURELY. USE THE FOLLOWING DESCRIPTION FOR EACH WIRE.

CH.LEFT  
CH.RIGHT  
DIGITAL

ITEM	DESCRIPTION	MATERIAL	QTY
6	CONNECTOR	3P MALE CONNECTOR	3
5	LABEL		4
4	OUTER MOLDING	PVC, UL94V-0 COLOR:BLACK	2
3	MOUNTING SCREW	#4-40UNC-2A, KNOB:ABS, UL94V-0 COLOR:BLACK	2
2	D-SUB 9 POS. FEMALE CONN.	CONTACT: COPPER ALLOY, GOLD FLASH INSULATOR: PBT, COLOR:BLACK, UL94V-0 SHELL: STEEL, NICKEL PLATED	1
1	CABLE	UL2464 22AWG 1Pair+AL/MY+DRAIN WIRE+BRAID WIRE. COLOR:BLACK	3
ITEM	DESCRIPTION	MATERIAL	QTY

**MORETHANALL**  
CONNECTORS  
ASSEMBLIES

PART NO. DBMIC-09C3-A60C

DWG NO. DBMIC-09C3-A60C

FILE NO.

CHECKED BY CY

DRAWING BY

TOLERANCES ARE  
.X ± 0.2  
.XX ±  
.XXX ±  
AWG

DESCRIPTION:

焜倫股份有限公司

UNIT / mm

SCALE 1:1

PROJECTION

AREA

REVISIONS

HK

DATE