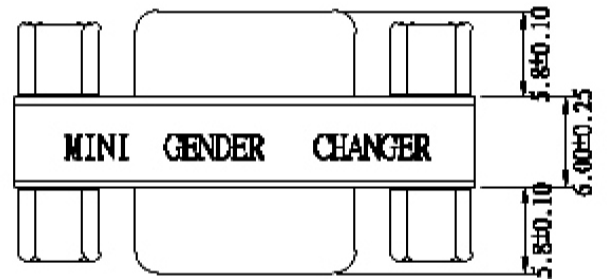
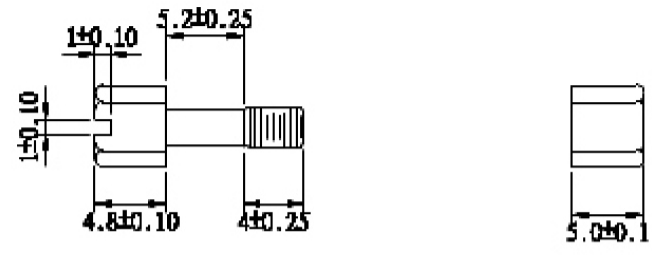
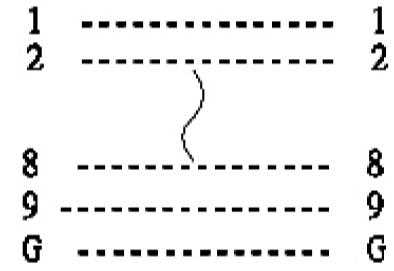


UNC #4-40 Hexscrew UNC #4-40 Hexnut

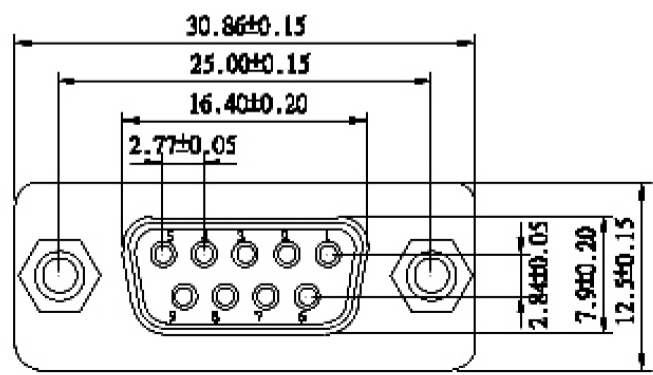


DGC 09 F/F GENDER CHANGER
PIN OUT: 9Female

DBDB-FS-0909-LF
LEADFREE



RoHS Compliant



Label: yellow color with black character
 One side: MINI GENDER CHANGER
 The other side: U.S.A. PATENT 5199906 ~~US~~
SPECIFICATION
 INSULATOR: PBT Glass fibre reinforced UL 94 VO
 CONTACT: Brass
 CONTACT PLATING: Gold plated over nickel
 SHELL: Tin Plated Shell
 CURRENT RATING: 3 AMP
 DIELECTRIC STRENGTH: 1000V AC for one minute
 INSULATOR RESISTANCE: 100MΩ min at 500V DC
 TEMPERATURE: -55°C—+105°C



PART NO. DBDB-FS-0909

DWG NO. DBDB-FS-0909

CHECKED BY CY

TOLERANCES ARE

DESCRIP TION:

FILE NO.

DRAWING BY

.X ± 0.2
.XX ± 0.1
.XXX ±

AREA REVISIONS HK DATE

煜倫股份有限公司

UNIT / mm

SCALE 1:1

PROJECTION

AWG