

SPECIFICATION

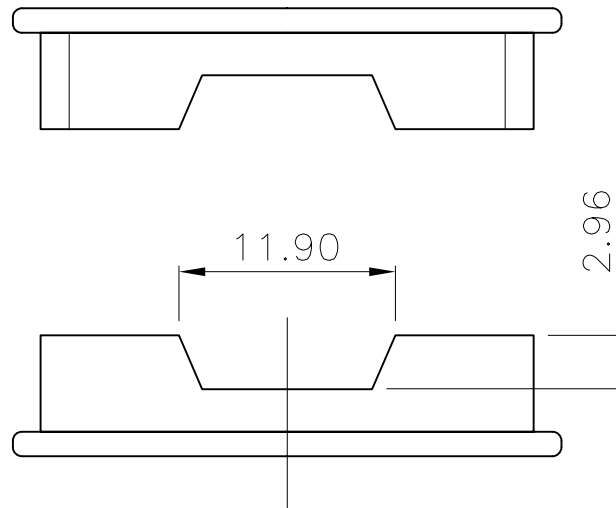
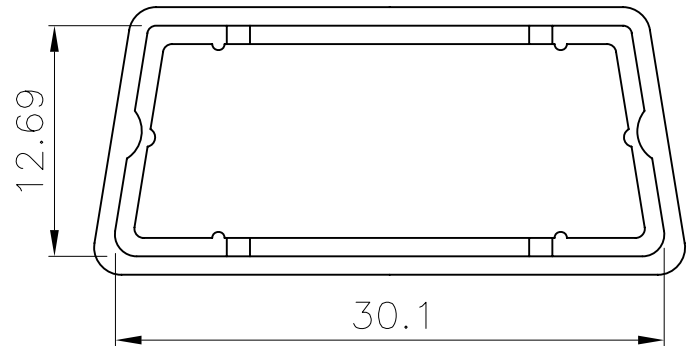
MATERIAL:

Insulator: PE UL94HB

D-SUB DUST COVER
(D-SUB 防塵蓋)

INSULATOR COLOR

WHITE (透明白色)



RoHS Compliant

TOLERANCES ARE

MORETHANALL
PCB CONNECTORS
Cable ASSEMBLIES

DRAWING BY CY

X. ± 0.50

CHECKED BY GENIUS

.X ± 0.30

UNIT / mm

SCALE 1:1

.XX ± 0.20

DATE

.XXX ±

ANG ± 5°

照片框

ORDER INFORMATION

DB-PDC-15-LF
SERIES | LEADFREE
15 WAY
COVER
180°
MALE

煜倫股份有限公司

www.morethanall.com

SIZE A4

PPOJECTION

DESCRIPTION: D-SUB DUST COVER 15PIN MALE