

CAPTIVE SCREW :
STEEL

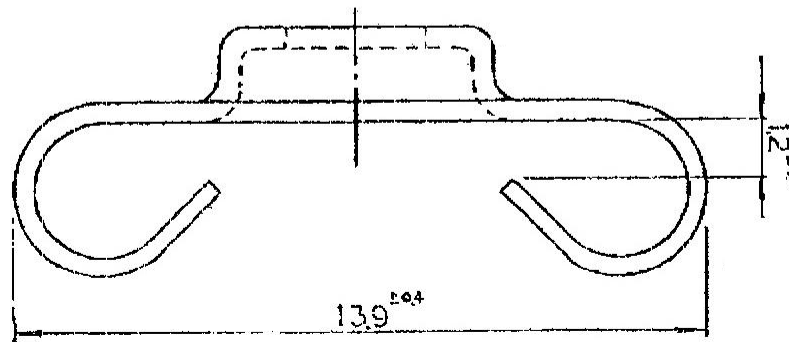
ZINC-PLATED WITH
YELLOW CHROME

RETAINING CLIP :
STEEL

ZINC-PLATED WITH
YELLOW CHROME

DB-MSC-01-LF
LEADFREE

RoHS Compliant



M MORETHANALL
CONNECTORS
ASSEMBLIES

PART NO. DB-MSC-01

DWG NO. DB-MSC-01

CHECKED BY CY

TOLERANCES ARE

DESCRIPTION:

FILE NO.

DRAWING BY

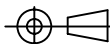
.X ± 0.2
.XX ±
.XXX ±
AWG

煜倫股份有限公司

UNIT / mm

SCALE 1:1

PROJECTION



AREA

REVISIONS

HK

DATE