

1. MATERIAL :

- 1-1. HOUSING : PA66 ; COLOR : BLACK.
- 1-2. CONTACT : BRASS.
- 1-3. NUT : BRASS.
- 1-4. SETSCREW : SPCC Steel
- 1-5. "T" Holder : SPCC Steel
- 1-6. Strain Boot : TPR ; COLOR : BLACK.
- 1-7. SHELL : BRASS.
- 1-8. SPRING : Stainless steel .

2. FINISH :

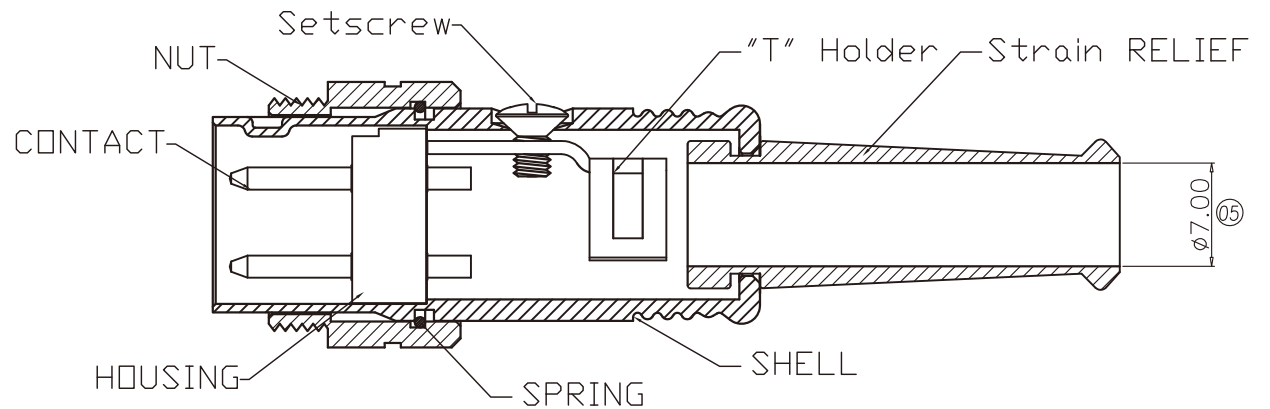
- 2-1. CONTACT : SILVER PLATED OVER ALL
- 2-2. NUT : NICKEL PLATED OVER ALL
- 2-3. SETSCREW : NICKEL PLATED OVER ALL
- 2-4. "T" Holder : NICKEL PLATED OVER ALL
- 2-5. SHELL : NICKEL PLATED OVER ALL

3. ELECTRICAL SPECIFICATION :

- 3-1. Rated current : 10A
- 3-2. Rated Voltage : 125V

4. Environmental :

- 4-1. Operation Temperature : -20 ℃~85℃



**MORETHANALL**  
PCB CONNECTORS  
Cable ASSEMBLIES

煜倫股份有限公司

www.morethanall.com

RoHS Compliant

DRAWING BY CY

CHECKED BY GENIUS

UNIT / mm

SCALE 1:1

DATE

SIZE A4

TOLERANCES ARE

X. ± 0.30

.X ± 0.25

.XX ± 0.10

.XXX ± 0.05

ANG ± 1°

PJECTION

照片框

ORDER INFORMATION

DAMS-PA-04-LF

SERIES | T LEADFREE  
| 04 WAY  
ASSEMBLY  
MALE

DESCRIPTION: DIN 4PIN(M) CABLE PLUG