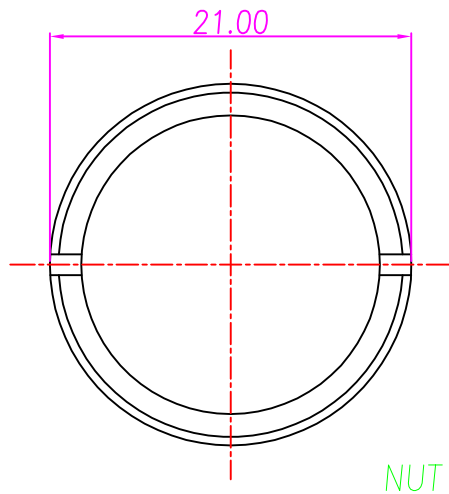
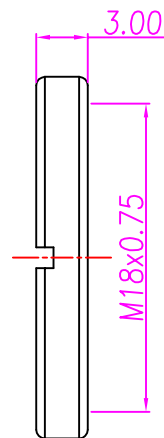


RECOMMEND PANEL CUT-OUT



NUT



1. MATERIAL :
  - 1-1. HOUSING : PA66 ; COLOR : BLACK
  - 1-2. CONTACT : BRASS
  - 1-3. SHELL : BRASS
  - 1-4. NUT : BRASS.
2. FINISH :
  - 2-1. CONTACT : GOLD FLASH PLATED
  - 2-2. SHELL : NICKEL PLATED .
  - 2-3. NUT : NICKEL PLATED .
3. ELECTRICAL SPECIFICATION :
  - 3-1. Rated current : 3A
  - 3-2. Rated Voltage : 60V
4. Environmental :
  - 4-1. Operation Temperature : -40°C~85°C
5. Protection Degree : IP40

RoHS Compliant

TOLERANCES ARE

**MORETHANALL**  
PCB CONNECTORS  
Cable ASSEMBLIES

煜倫股份有限公司

www.morethanall.com

DRAWING BY CY

CHECKED BY GENIUS

UNIT / mm

SCALE 1 : 1

DATE

SIZE A4

X, ± 0.30

.X ± 0.20

.XX ± 0.10

.XXX ±

ANG ± 1°

P PROJECTION

照片框

ORDER INFORMATION

DAMS-JSPBN-12-LF

SERIES | | | LEADFREE  
| | | 12WAY  
| | | NUT  
| | | PANEL BACK  
| | | SOLDER  
| | | JACK

DESCRIPTION: DIN 12 PIN (F) 前鍍焊線式(端子表金)