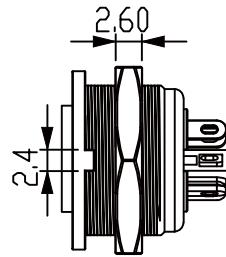
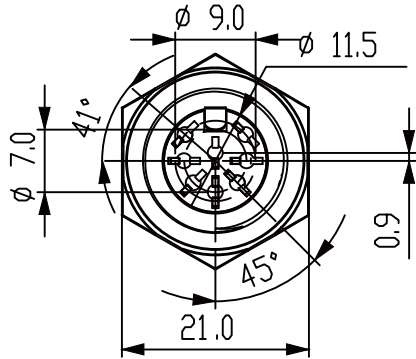
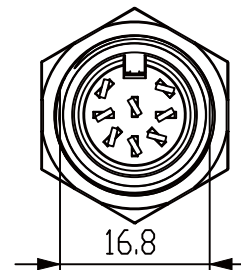
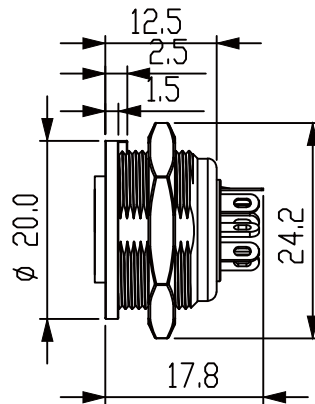
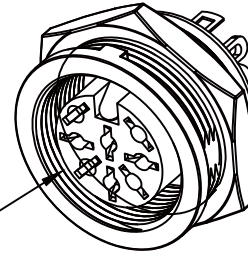


THROUGH HOLE DIMENSIONS



M16*0.75



Specifications
rating :

100V AC 1A MAX

contact resistance :

pins-30mΩ MAX; shell-50mΩ MAX

insulation resistance :

MIN 100 MEGΩ @500V DC

voltage withstand :

250V AC R.M.S. for 1 minute

5	Terminals	Brass	Silver Ptd.	8
4	8P262 Housing	ABS		1
3	Screw Nut	Brass	Nickel Ptd.	1
2	Negative Contact	Copper	Nickel Ptd.	1
1	Cover	Zn Alloy	Chrome Ptd.	1
No.	Description	Material	Treat	Q'ty

RoHS Compliant

TOLERANCES ARE

MORETHANALL
PCB CONNECTORS
Cable ASSEMBLIES

煜倫股份有限公司

www.morethanall.com

DRAWING BY CY

CHECKED BY GENIUS

UNIT / mm SCALE 1 : 1

DATE

SIZE A4

X.±
.X±
.XX±
.XXX±
ANG±

PJECTION

照片框

ORDER INFORMATION

DAMS-JS-08B-LF

SERIES | LEADFREE
| 08 WAY B TYPE
SOLDER
JACK

DESCRIPTION: 8P262 SCREW LUCK DIN SOCKET PANEL MOUNT