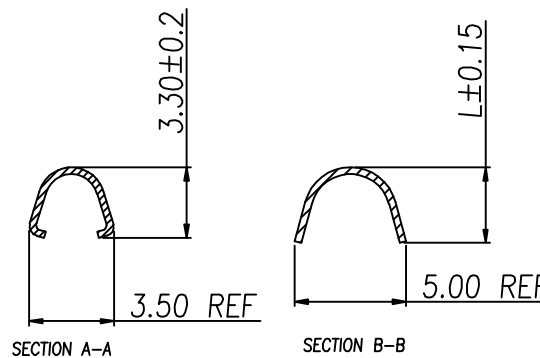


PULL OUT DIRECTION

TABLE A

D1695-FTG-14	3.4	14~18AWG	GOLD FLASH
D1695-FT-14			MATTE TIN 80u"
P/N	L	CABLE AWG	FINISH



1. MATERIAL :
 - 1-1. CONTACT : PHOSPHOR BRONZE
 - 1-2. SHELL : STAINLESS STEEL
2. FINISH :
 - 2-1. CONTACT : SEE TABLE A

RoHS Compliant

TOLERANCES ARE

MORETHANALL
PCB CONNECTORS
Cable ASSEMBLIES

煜倫股份有限公司

www.morethanall.com

DRAWING BY CY

CHECKED BY GENIUS

UNIT / mm SCALE 1 : 1

DATE

SIZE A4

X, ±
.X ± 0.20
.XX ± 0.10
.XXX ± 0.05
ANG ± 1°

PJECTION

照片框

ORDER INFORMATION

D1695-FTx-14-LF

SERIES LEADFREE
14~18 AWG
G: GOLD
TERMINAL
FEMALE

DESCRIPTION: 防水9PIN(F)端子半成品(Crimp PIN)