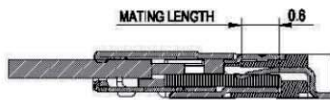
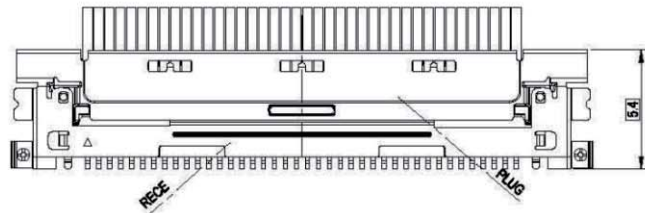


SEC : A-A (2:1)



MATING CONDITION

NOTES:

- MATERIAL: LCP, UL94V-0, COLOR BLACK
SHELL: COPPER ALLOY
CONTACT: COPPER ALLOY
- CONTACT FINISH: 2= GOLD 5u" PLATING ON CONTACT AREA,
GOLD FLASH ON OTHER AREA, BOTH OVER NICKEL,
- SHELL FINISH: M=80u" TIN, OVER 50u" NICKEL (LEADFREE MATTE)
- PACKING TYPE: 2= REEL

RoHS Compliant

TOLERANCES ARE

MORETHANALL
PCB CONNECTORS
Cable ASSEMBLIES

煜倫股份有限公司

www.morethanall.com

DRAWING BY CY

CHECKED BY GENIUS

UNIT / mm

SCALE 1 : 1

DATE

SIZE A4

X, ±

.X ±

.XX ±

.XXX ±

ANG ±

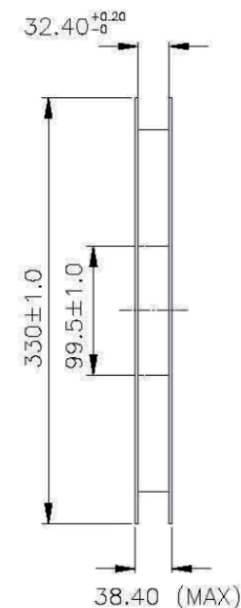
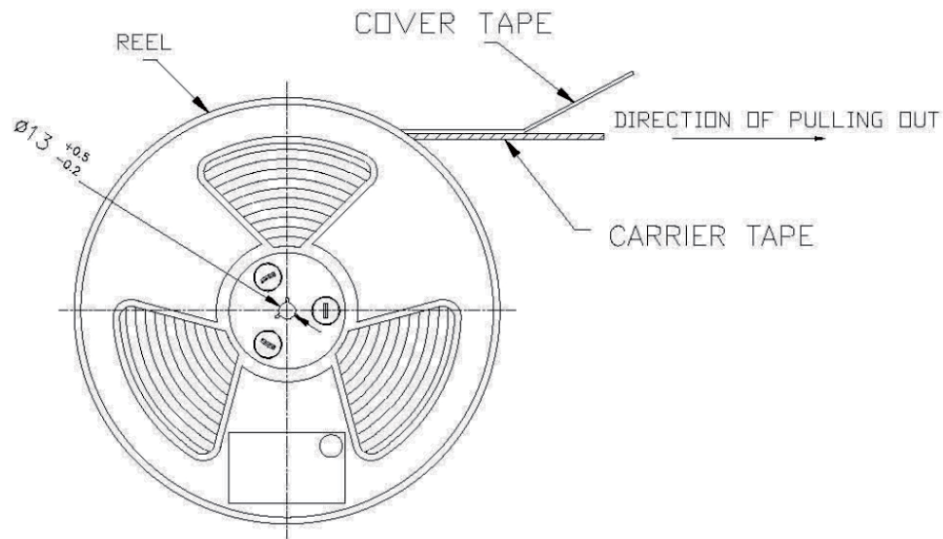
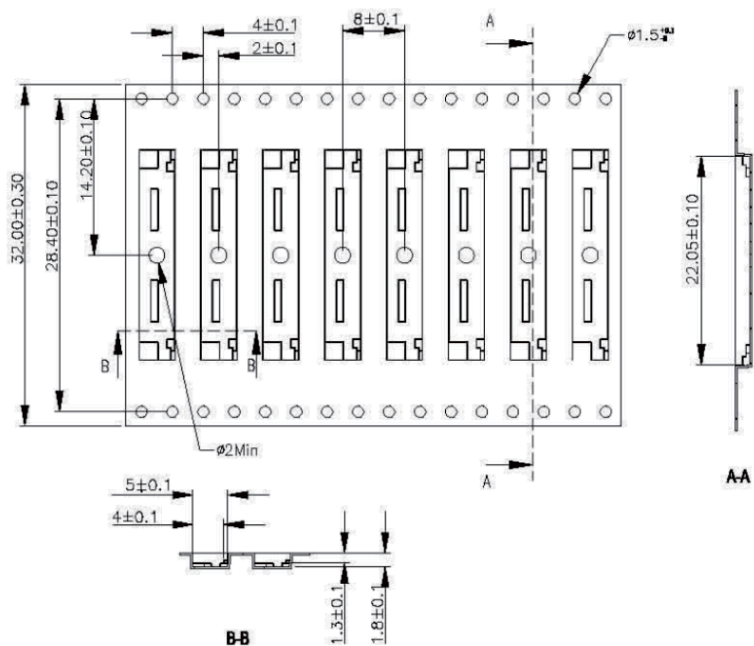
P PROJECTION

照片框

ORDER INFORMATION

CVS-WR-30-LF
SERIES | LEADFREE
30 WAY
REEL
90°SMT

DESCRIPTION:



NOTE:

1. Material : Black Conductive Polystyrene Alloy.
2. All dimensions meet EIA-481-B requirements.
3. Thickness : 0.30 ± 0.05 mm.
4. 10 sprocket hole pitch cumulative tolerance ± 0.20
5. Carrier camber is within 1mm in 250mm
6. Packing length per 22" reel : 98.5 Meters.
7. Component load per 13" reel : 4000 pcs.

RoHS Compliant

TOLERANCES ARE

MORETHANALL
PCB CONNECTORS
Cable ASSEMBLIES

DRAWING BY CY

CHECKED BY GENIUS

UNIT / mm SCALE 1 : 1

DATE

SIZE A4

X, ±
.X ±
.XX ±
.XXX ±
ANG ±

PJECTION

照片框

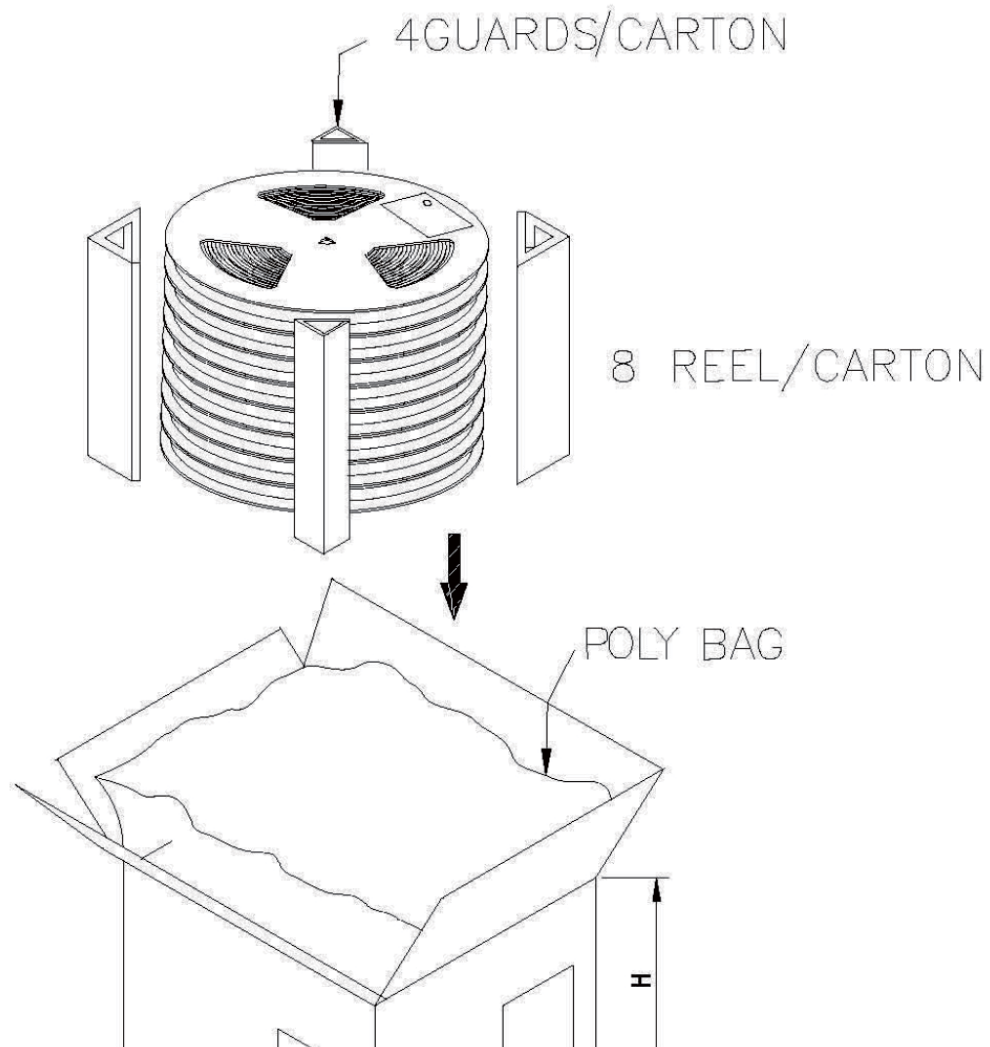
ORDER INFORMATION

CVS-WR-30-LF
SERIES | LEADFREE
30 WAY
REEL
90°SMT

煜倫股份有限公司

www.morethanall.com

DESCRIPTION:



PACKING MATERIAL

PART NAME	30PIN DIM(mm)	40PIN DIM(mm)
REEL	330X 32	330X44
BIG CARTON	350X350X340	350X350X340

PACKING CAPACITY

PART NO.	PCS/RE	RE/BC	PCS/BC
CVS-W-30	4,000PCS/RE	8 RE/BC	32,000 PCS/BC

RoHS Compliant

TOLERANCES ARE

MORETHANALL
PCB CONNECTORS
Cable ASSEMBLIES

DRAWING BY CY

CHECKED BY GENIUS

UNIT / mm SCALE 1:1

DATE

SIZE A4

X. ±
.X ±
.XX ±
.XXX ±
ANG ±

P PROJECTION

照片框

ORDER INFORMATION

CVS-WR-30-LF
SERIES | T | LEADFREE
| | 30 WAY
| REEL
| 90°SMT

煜倫股份有限公司

www.morethanall.com

DESCRIPTION: