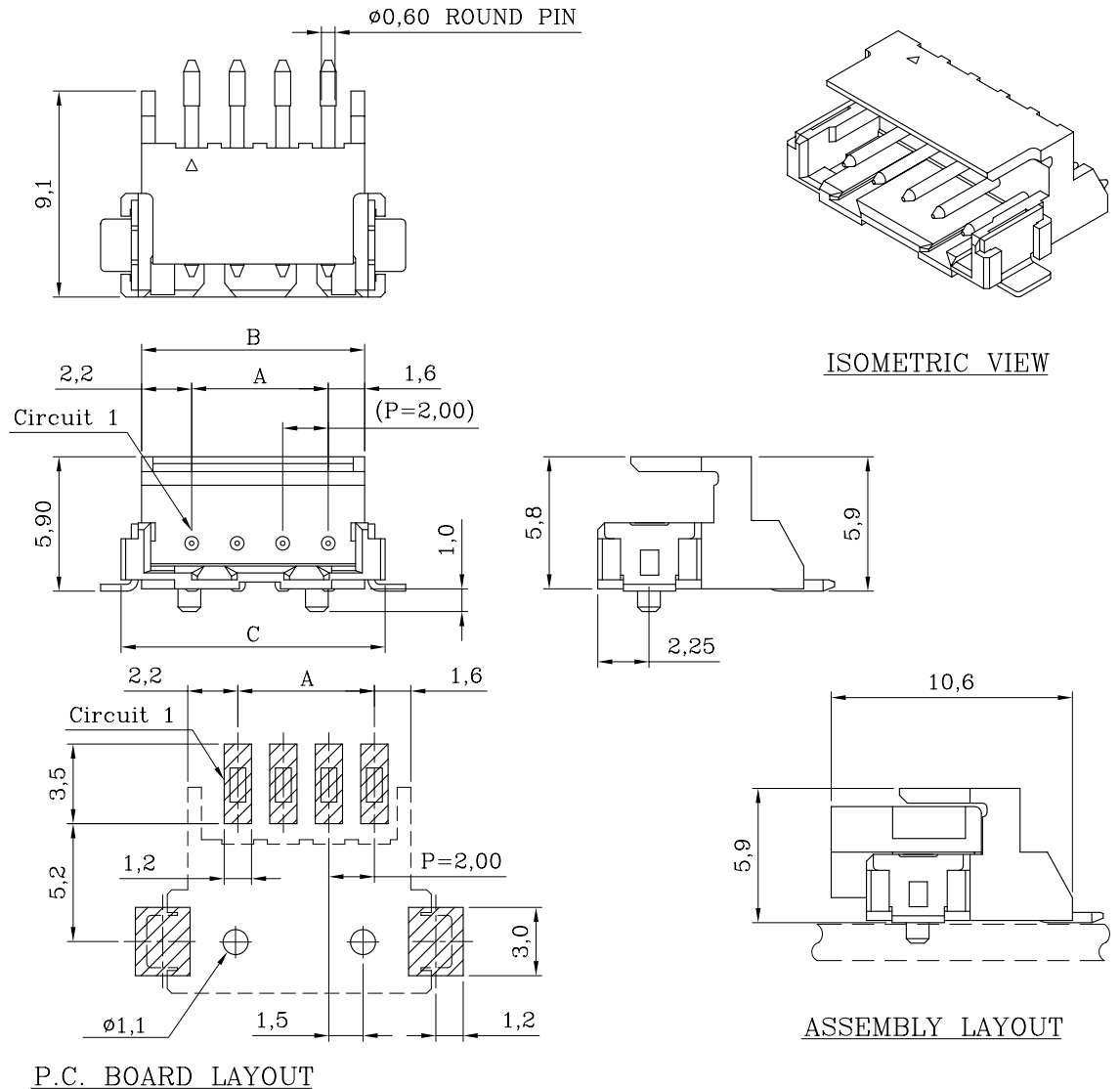


ORDER INFORMATION AND DIMENSION:

Circuits	Part No.	Dimension		
	cc=color	A	B	C
2	CT-WPBccR-02	2.0	5.8	7.6
3	CT-WPBccR-03	4.0	7.8	9.6
4	CT-WPBccR-04	6.0	9.8	11.6
5	CT-WPBccR-05	8.0	11.8	13.6
6	CT-WPBccR-06	10.0	13.8	15.6
7	CT-WPBccR-07	12.0	15.8	17.6
8	CT-WPBccR-08	14.0	17.8	19.6
9	CT-WPBccR-09	16.0	19.8	21.6
10	CT-WPBccR-10	18.0	21.8	23.6
11	CT-WPBccR-11	20.0	23.8	25.6
12	CT-WPBccR-12	22.0	25.8	27.6
13	CT-WPBccR-13	24.0	27.8	29.6
14	CT-WPBccR-14	26.0	29.8	31.6
15	CT-WPBccR-15	28.0	31.8	33.6



NOTES:

- MATERIAL:
 BASE: HIGH HDT NYLON 94V-0
 CONTACT PIN: BRASS
- Q'ty per 330 mm Dia. Panel: 500 PCS/Embossed Tape Reel

RoHS Compliant

TOLERANCES ARE

MORETHANALL
 PCB CONNECTORS
 Cable ASSEMBLIES

DRAWING BY CY
 CHECKED BY GENIUS
 UNIT / mm SCALE 1 : 1
 DATE

X, ±
 .X ±
 .XX ±
 .XXX ±
 ANG ±

照片框

ORDER INFORMATION

CT-WPBccR-xx-LF
 SERIES | REEL | 02~15 WAY LEADFREE
 90°SMT POST BOX
 BK:BLACK
 BR:BROWN
 BL:BLUE GR:GREEN
 GY:GRAY RD:RED

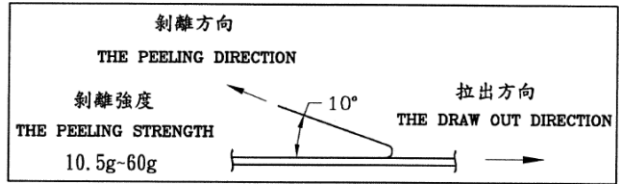
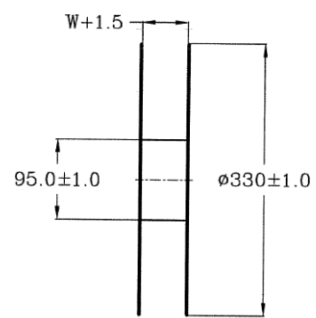
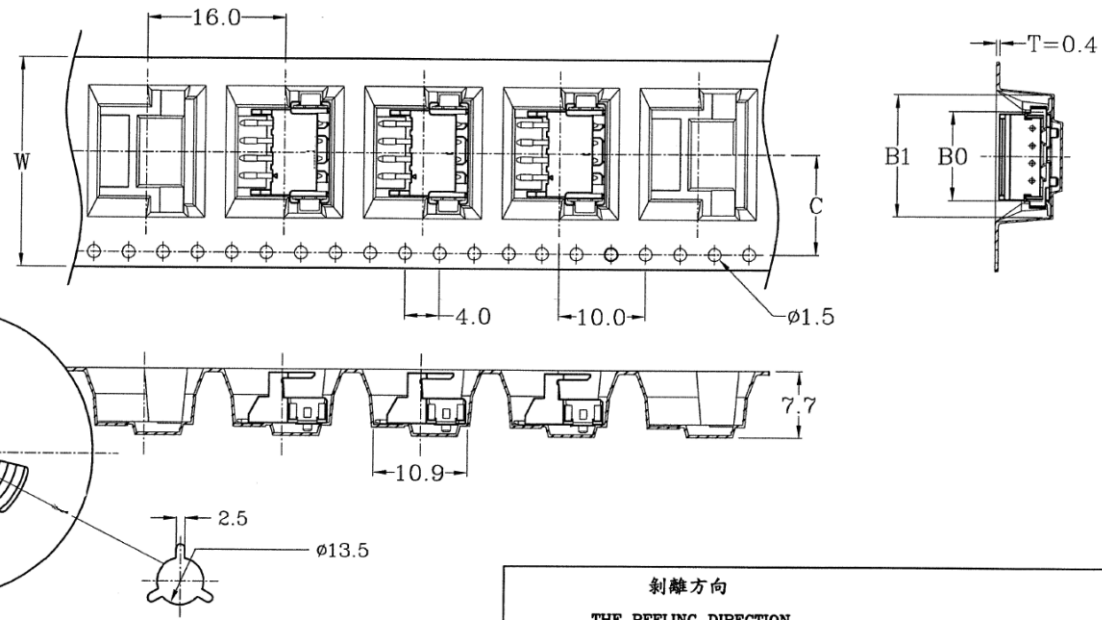
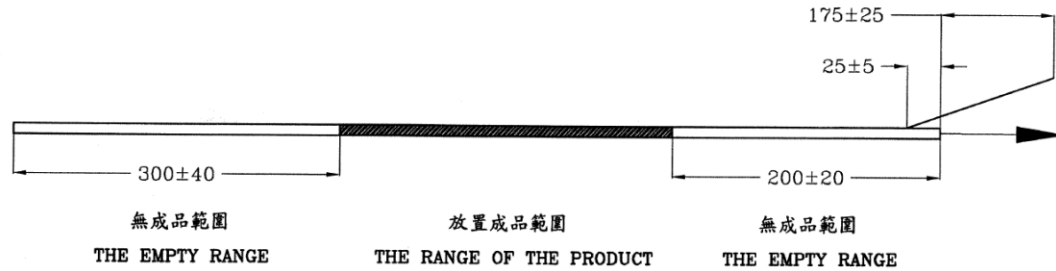
www.morethanall.com

SIZE A4 PROJECTION

DESCRIPTION:

DIMENSIONS:

CIRCUITS	DIM. B0	DIM. B1	DIM. W	DIM. C
2	06.20	10.00	24.0	11.5
4	10.20	14.00	24.0	11.5
5	12.20	16.00	24.0	11.5
6	14.20	18.00	32.0	14.2



NOTES:

1. Pitch Tolerance Over Any 10 Pitch ± 0.20 .
2. Material : PS Black-Thickness: 0.40 ± 0.05 .
3. Component Load Per 13" Reel: 500 Pcs.

RoHS Compliant

TOLERANCES ARE

照片框

ORDER INFORMATION

CT-WPBccR-xx-LF
 SERIES | REEL | 02~15 WAY LEADFREE
 90°SMT POST BOX
 BK:BLACK BR:BROWN BL:BLUE GR:GREEN GY:GRAY RD:RED

MORETHANALL
 PCB CONNECTORS
 Cable ASSEMBLIES

煜倫股份有限公司

www.morethanall.com

DRAWING BY CY
 CHECKED BY GENIUS
 UNIT / mm SCALE 1:1
 DATE

X, ±
 .X ±
 .XX ±
 .XXX ±
 ANG ±

SIZE A4 PROJECTION

DESCRIPTION: