

DIMENSIONS:

CIRCUITS	DIM.A	DIM.B	DIM.C
2	05.8	05.0	02.0
3	07.8	07.0	04.0
4	09.8	09.0	06.0
5	11.8	11.0	08.0
6	13.8	13.0	10.0
7	15.8	15.0	12.0
8	17.8	17.0	14.0
9	19.8	19.0	16.0
10	21.8	21.0	18.0
11	23.8	23.0	20.0
12	25.8	25.0	22.0
13	27.8	27.0	24.0
14	29.8	29.0	26.0
15	31.8	31.0	28.0

SPECIFICATION:

\* MATERIAL: ① BASE: NYLON 66 94V-0

② PIN  $\phi$  0.6 Brass Matte Tin Plated

CURRENT RATING : 4A AC/DC

VOLTAGE RATING : 125V AC/DC

Withstand Voltage : 1000V AC/Minute

CONTACT RESISTANCE : 10m $\Omega$  MAX

(Before environment test)

INSULATION RESISTANCE : 1000 M $\Omega$  MIN

Temperature Range : -30°C TO 105°C

RoHS Compliant

TOLERANCES ARE

**MORETHANALL**  
PCB CONNECTORS  
Cable ASSEMBLIES

DRAWING BY CY

CHECKED BY GENIUS

UNIT / mm SCALE 1 : 1

DATE

SIZE A4

X.  $\pm$  0.50

.X  $\pm$  0.25

.XX  $\pm$  0.12

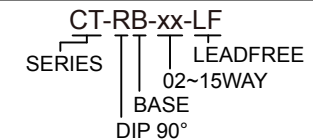
.XXX  $\pm$  0.08

ANG  $\pm$  3°

PJECTION

照片框

ORDER INFORMATION



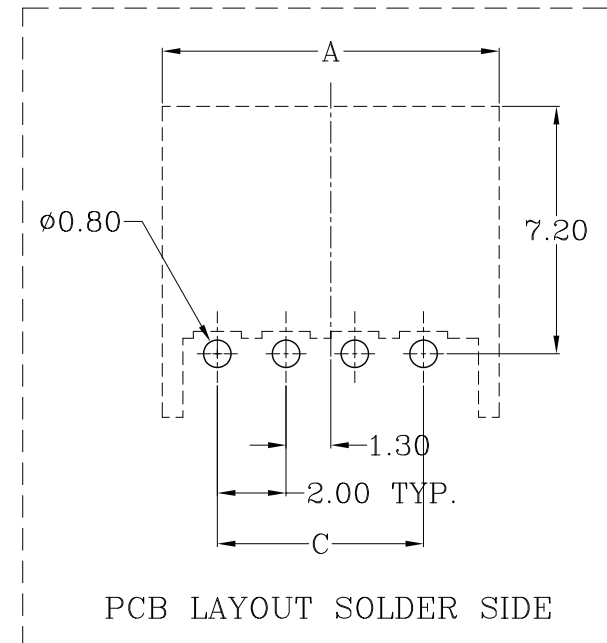
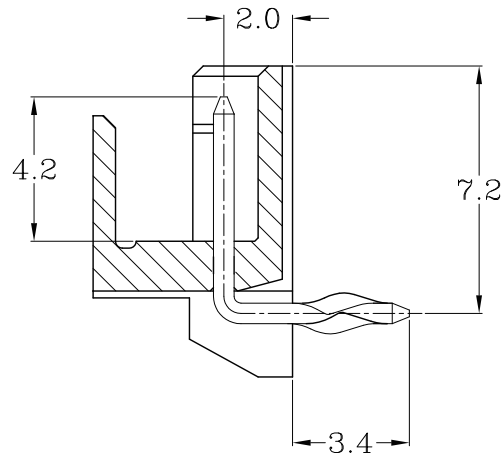
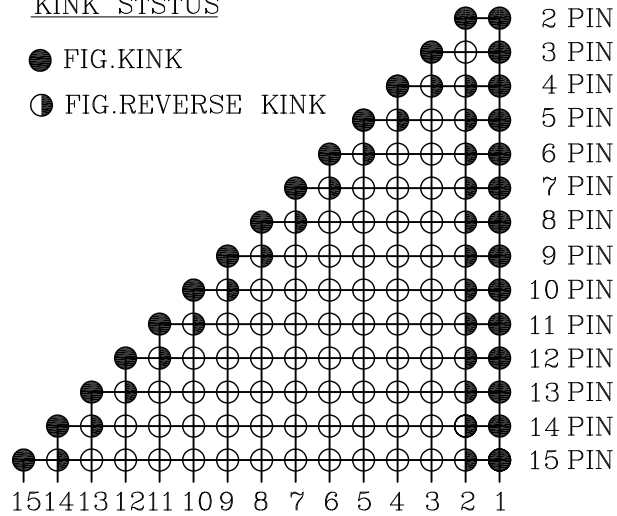
煜倫股份有限公司

www.morethanall.com

DESCRIPTION:

KINK STATUS

- FIG.KINK
- ⊙ FIG.REVERSE KINK



RoHS Compliant

TOLERANCES ARE

**MORETHANALL**  
PCB CONNECTORS  
Cable ASSEMBLIES

DRAWING BY CY

X. ± 0.50

CHECKED BY GENIUS

.X ± 0.25

UNIT / mm

SCALE 1 : 1

.XX ± 0.12

.XXX ± 0.08

ANG ± 3°

DATE

SIZE A4

P PROJECTION

照片框

ORDER INFORMATION

CT-RB-xx-LF  
SERIES | LEADFREE  
02~15WAY  
BASE  
DIP 90°

煜倫股份有限公司

www.morethanall.com

DESCRIPTION: