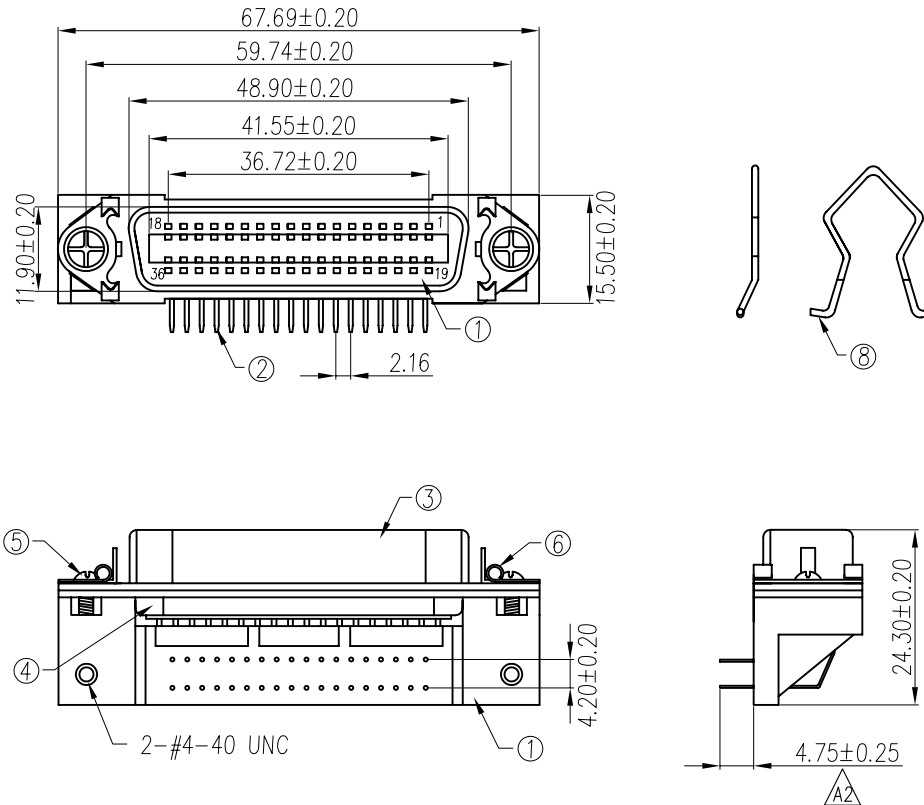


Note:

Specification:

1. Current rating: 1 A Max.
2. Dielectric withstanding voltage: 500 V(ac) for 1 minute.
3. Contact resistance: 30 mΩ Max.
4. Insulation resistance: 1000 MΩ Min at DC 500V.
5. Insertion force: 6.5 Kgf Max.
6. Extraction force: 2.5 Kgf Min.
7. Temperature range: -55°C~+105°C



8	Spring	2	Stainless	Ø0.90	NO Plated
7	"L" type board-lock	2	Steel	T=1.4mm	Cu: 40u"min. 80u"min. Tin Plated
6	Trangle	2	Steel	T=0.60mm	Cu: 40u"min. 80u"min. Nickel Plated
5	Screw	2	Brass	Ø5.2*7.2	80u"min. Nickel Plated
4	Back-shell	1	Steel	T=0.40mm	Cu: 40u"min. 80u"min. Nickel Plated
3	Front-shell	1	Steel	T=0.40mm	Cu: 40u"min. 80u"min. Nickel Plated
2	Contact	36	Brass	T=0.30mm	Contact area: 0.8u"min. Gold Plated over 40u"Nickel min. Solder area: 80u"min. Tin Plated over 40u"Nickel min.
1	Housing	2	P.B.T	UL 94-V0	Blue
No.	Name	Q'ty	Material	Remarks & Thickness	Finish

RoHS Compliant

TOLERANCES ARE

MORETHANALL
PCB CONNECTORS
Cable ASSEMBLIES

DRAWING BY CY

CHECKED BY GENIUS

UNIT / mm SCALE 1 : 1

DATE

SIZE A4

X, ±
.X ± 0.30
.XX ± 0.20
.XXX ± 0.10
ANG ± 1°

PJECTION

照片框

ORDER INFORMATION

CR SL-36-LF
SERIES | LEADFREE
| 36 WAY
| L BRACKET
FEMALE

煜倫股份有限公司

www.morethanall.com

DESCRIPTION: CENTRONIC 36PIN(F) 90° DIP 鉚三角片鎖L片鎖十字NUT(附彈簧扣)