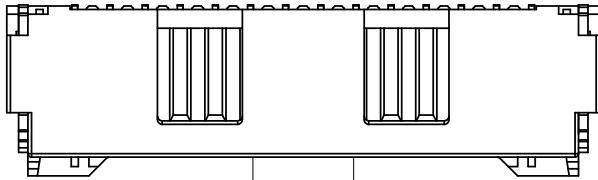


Notes:

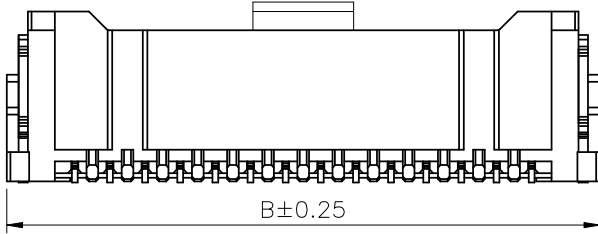
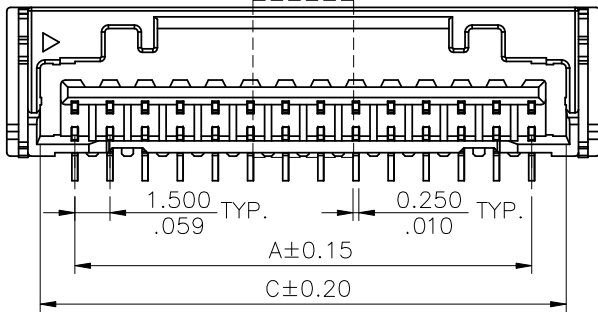
1. Material:

- \* Insulator: High temperature plastic UL 94V-0, Color Nature
- \* Contact: Phosphor bronze
- \* TAB: Brass

2. For Lead Free IR Reflow process

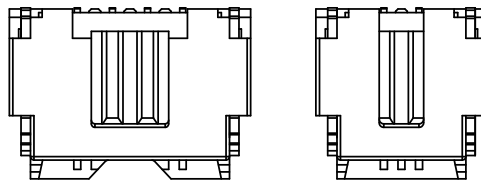


06P-15P Daul Hole

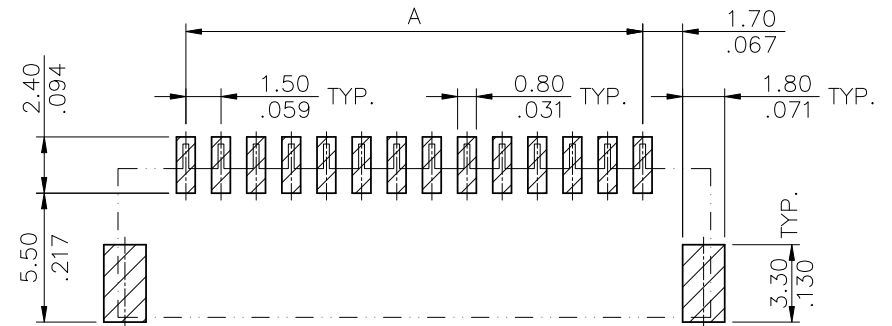
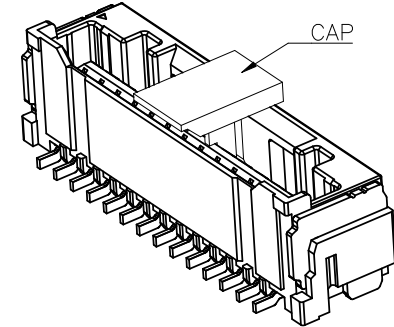
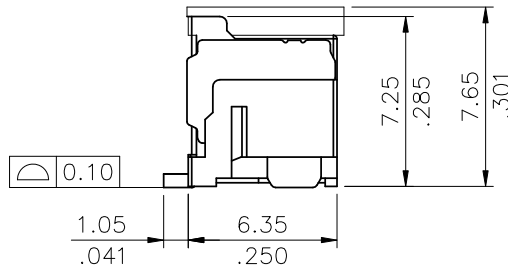


A = 1.50 x No. of Spaces  
 B = A + 5.8  
 C = A + 2.95

\* Available in 2 through 15 circuits



03P-05P Single Hole    02P Single Hole



Recommended P.C. Board Layout  
 General Tolerance ±0.05

RoHS Compliant

TOLERANCES ARE



煜倫股份有限公司

www.morethanall.com

DRAWING BY CY

CHECKED BY GENIUS

UNIT / mm    SCALE 1 : 1

DATE

SIZE A4

X, ±  
 .X ± 0.30  
 .XX ± 0.20  
 .XXX ± 0.10  
 ANG ±

PJECTION

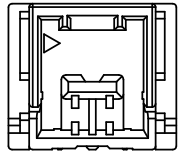
照片框

ORDER INFORMATION

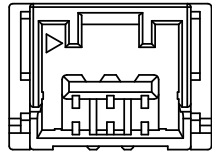
CLM15-VXCR-1Xxx-LF

SERIES    LEADFREE  
 1X02:02WAY  
 1X15:15WAY  
 REEL  
 CAP  
 NON POST

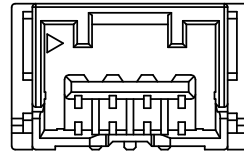
DESCRIPTION:



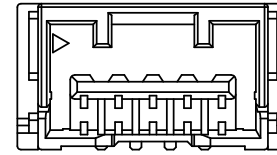
2 PIN



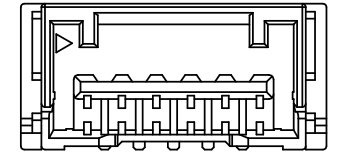
3 PIN



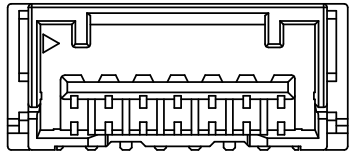
4 PIN



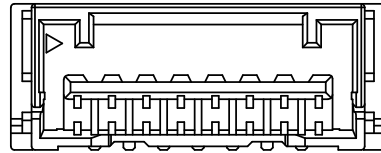
5 PIN



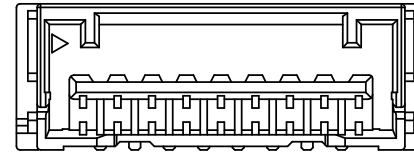
6 PIN



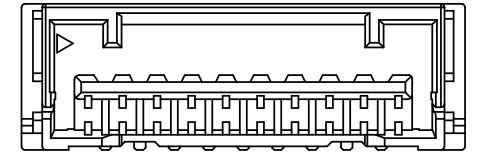
7 PIN



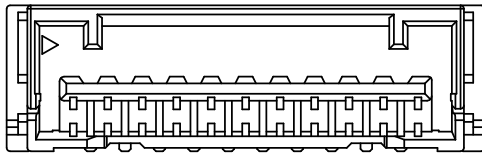
8 PIN



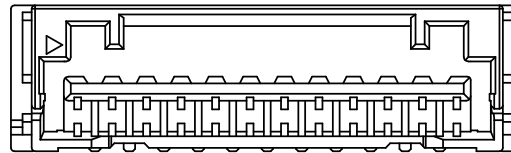
9 PIN



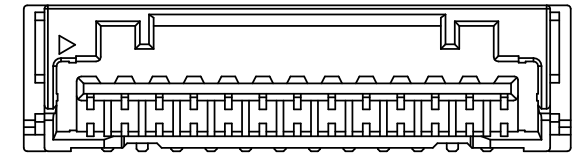
10 PIN



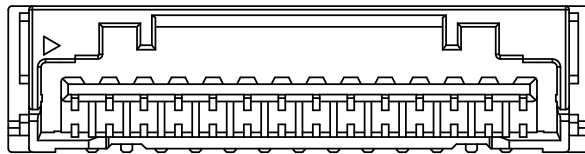
11 PIN



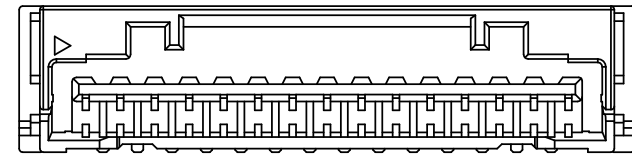
12 PIN



13 PIN



14 PIN



15 PIN

RoHS Compliant

TOLERANCES ARE

**MORETHANALL**  
PCB CONNECTORS  
Cable ASSEMBLIES

煜倫股份有限公司

www.morethanall.com

DRAWING BY CY

CHECKED BY GENIUS

UNIT / mm SCALE 1 : 1

DATE

SIZE A4

X, ±  
.X ± 0.30  
.XX ± 0.20  
.XXX ± 0.10  
ANG ±

PJECTION

照片框

ORDER INFORMATION

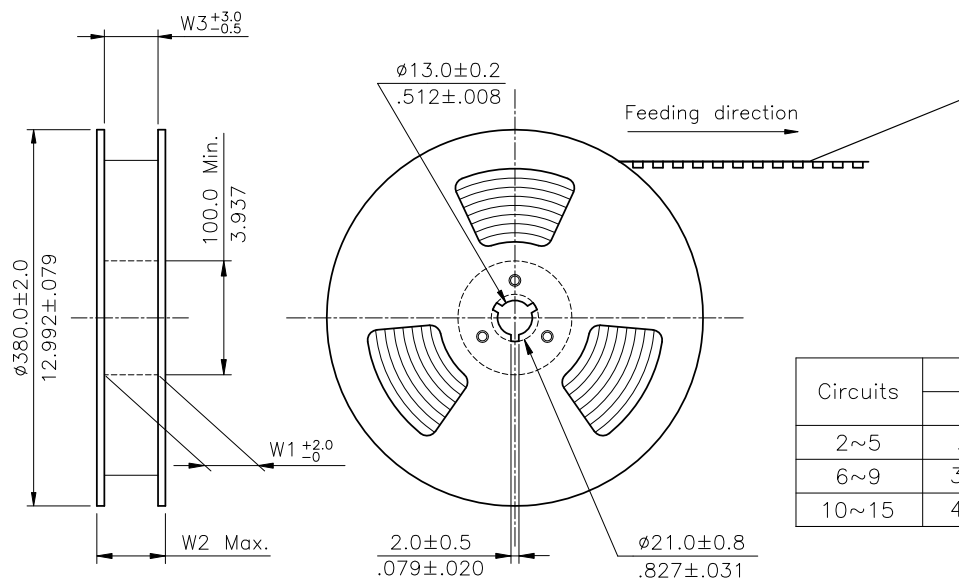
CLM15-VXCR-1Xxx-LF

SERIES LEADFREE  
1X02:02WAY  
1X15:15WAY  
REEL  
180°SMT CAP  
NON POST

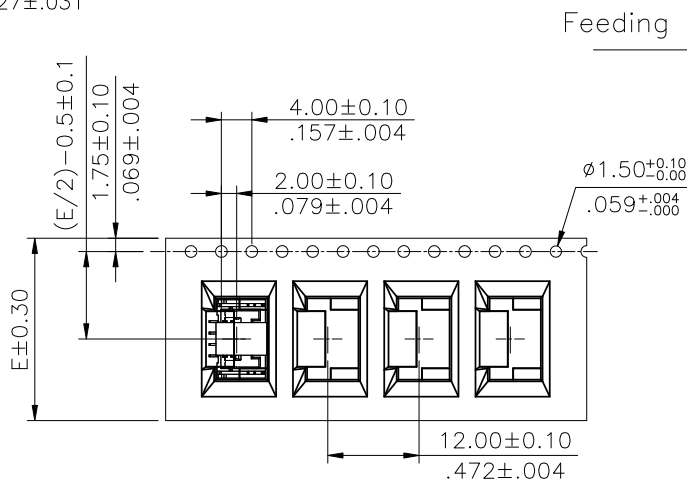
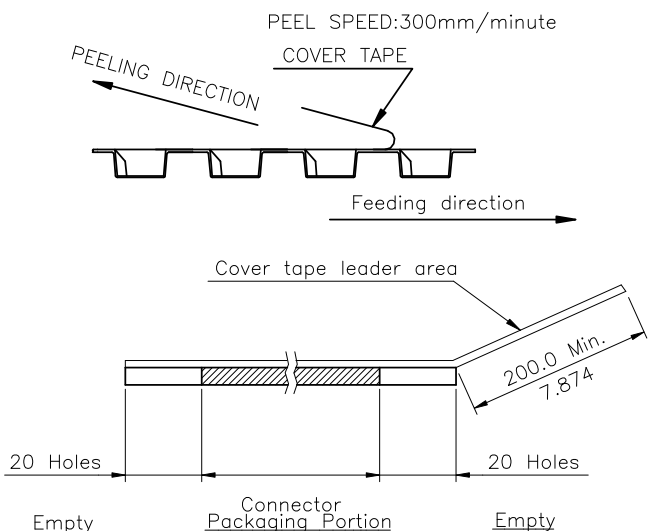
DESCRIPTION:

NOTE :

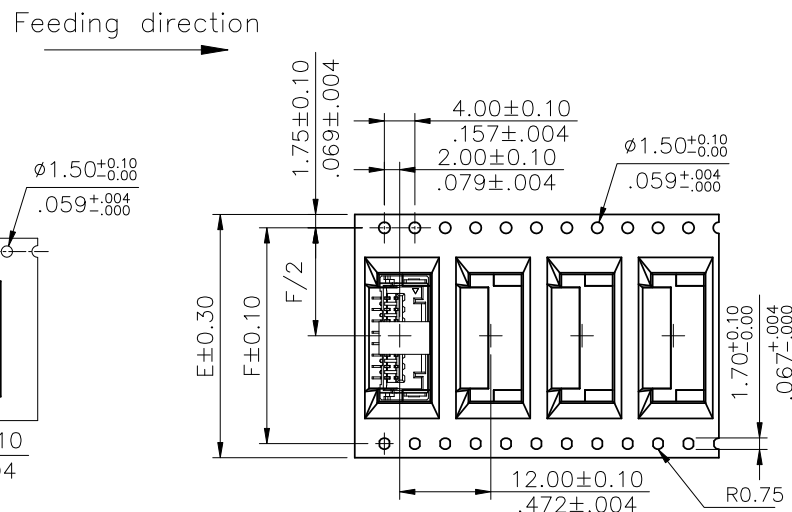
- \* Reel Material : HIPS
- \* Carrier Material : Clear, Conductive Polystyrene Alloy
- \* Cover Tape Material : Polyester
- \* Cover Tape Peel Strength : 20~120g
- \* 10 Sprocket Hole Pitch Cumulative Tolerance  $\pm 0.20\text{mm}$
- \* Thickness:  $0.40 \pm 0.05\text{mm}$
- \* Carrier camber is within 1mm in 100mm
- \* All dimensions meet EIA-481 requirements.
- \* Quantity : 1000 PCS/Reel



Circuits	Dimension					Packing (Reel/Carton)
	E	F	W1	W2	W3	
2~5	24.0(.945)	-	24.4(.961)	28.5(1.122)	24.4(.961)	12
6~9	32.0(1.260)	28.40(1.118)	32.4(1.286)	36.5(1.437)	32.4(1.286)	9
10~15	44.0(1.732)	40.40(1.596)	44.4(1.748)	48.5(1.909)	44.4(1.748)	7



WIDTH : 24 mm Carrier



WIDTH : 32.44 mm Carrier

RoHS Compliant

TOLERANCES ARE

**MORETHANALL**  
PCB CONNECTORS  
Cable ASSEMBLIES

DRAWING BY CY

X, ±

CHECKED BY GENIUS

.X ± 0.30

UNIT / mm

SCALE 1 : 1

.XX ± 0.20

DATE

.XXX ± 0.10

ANG ±

SIZE A4

PJECTION

照片框

ORDER INFORMATION

CLM15-VXCR-1Xxx-LF

SERIES  
LEADFREE  
1X02:02WAY  
1X15:15WAY  
REEL  
180°SMT  
CAP  
NON POST

煜倫股份有限公司

www.morethanall.com

DESCRIPTION: