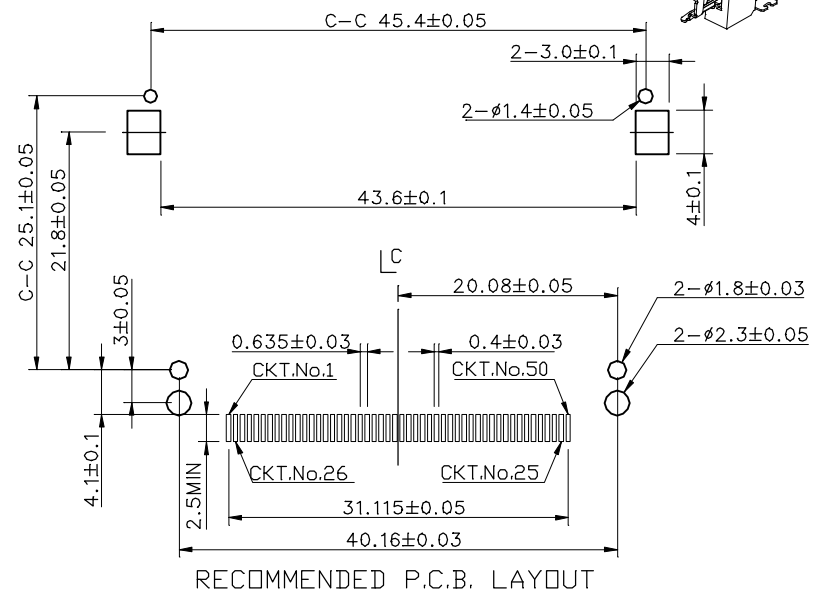
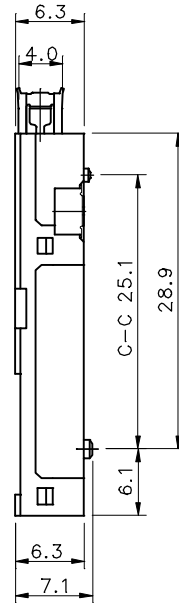
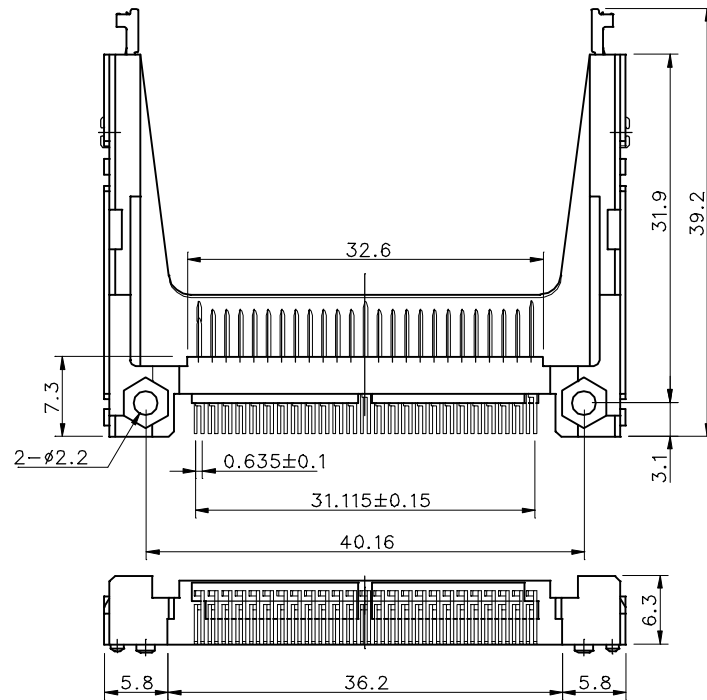
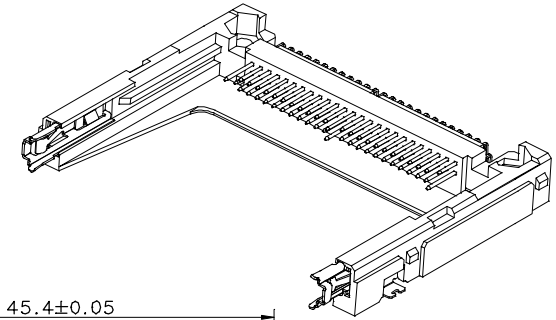


NOTES:
 MATERIAL
 Insulator: Glass Reinforced LCP UL94V-0
 Contacts: Brass Alloy
 Mount ear: Brass ; Tin plated overall
 CONTACT PLATING
 Contact area: Gold plating over 40u" Nickel
 Solder tail area: 100u" tin plating over 40u" Nickel



RoHS Compliant

TOLERANCES ARE

MORETHANALL
 PCB CONNECTORS
 Cable ASSEMBLIES

DRAWING BY CY

X, \pm

CHECKED BY GENIUS

.X, \pm

UNIT / mm

SCALE 1 : 1

.XX, \pm

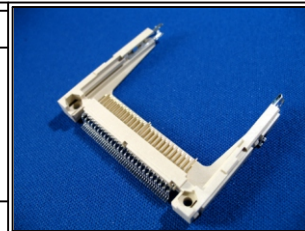
DATE

.XXX, \pm

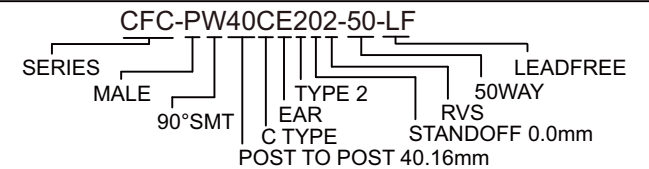
ANG, \pm

SIZE A4

P PROJECTION



ORDER INFORMATION



DESCRIPTION: CF CARD HEADER SMT 50P TYPE II BORS

煜倫股份有限公司

www.morethanall.com