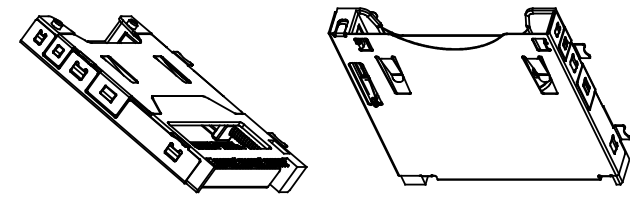


**SPECIFICATION**  
 Material:  
 Insulator: LCP, rated UL94V-0, Black.  
 Slider: LCP, rated UL94V-0, Black.  
 Contacts: C7025 TM03  
 Solder tail 80u" Min. Matte Tin,  
 Contact area 15u" Min. Au.Over Nickel 50u" Min.  
 Top Shell: SUS304 3/4H. Bottom Shell: SUS304 1/2H.  
 Nickel. 30u"MIN  
 Top Shell: SUS304 3/4H. Bottom Shell: SUS304 1/2H.  
 Solder tail Goldflash Over Nickel 30u"Min.  
 Electrical Characteristics:  
 Current rating : 1.0 A.Min.per pin.  
 Operating Temperature: -25°C~+85°C.  
 Insulation resistance: 1000M ohms Min. at 500VDC for 1ms  
 Dielectric withstanding voltage:500 VAC/1minute.  
 Contact resistance: Initial:55m ohms max. Final:40m ohms max.  
 Insertion Force: 25N Max.  
 Removal Force: 0.5N Min. 20N Max.  
 Inverse Insertion: 50N Min.  
 Mating cycle: 12000 cycles, spring is not breaking.



D/C(YYWW):Year/Week



**RoHS Compliant** TOLERANCES ARE

DRAWING BY CY		X, ±
CHECKED BY GENIUS		.X ± 0.30
UNIT / mm	SCALE 1 : 1	.XX ± 0.25
DATE		.XXX ±
		ANG ±



**ORDER INFORMATION**

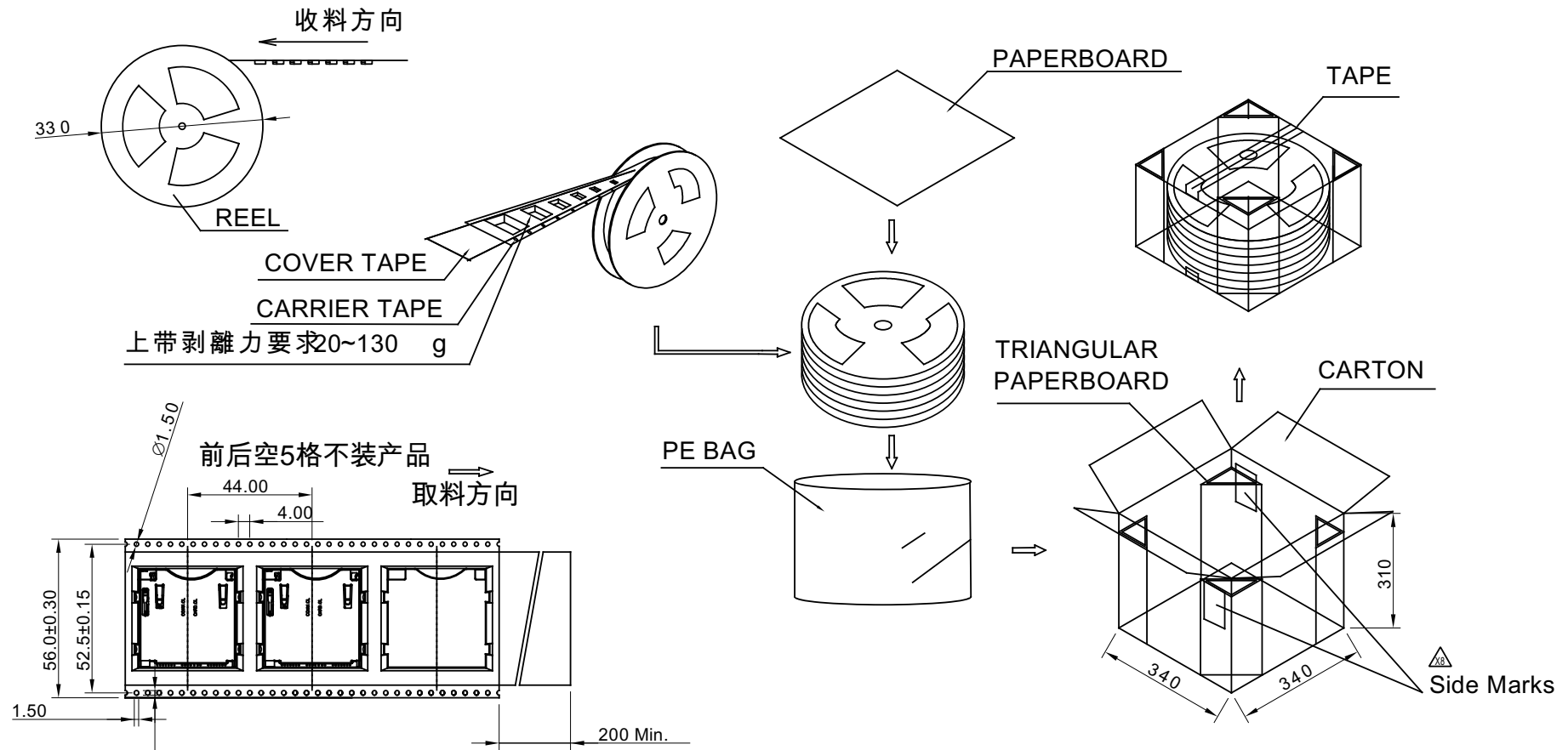
CFB-PW27AX002PPR-21-LF										
SERIES	MALE	90°SMT	POST TO POST 27.15mm	A TYPE	NON SCREW HOLE	REEL	PUSH PUSH	RVS	STANDOFF 0.0mm	LEADFREE

DESCRIPTION: CFexpress TypeB PUSH CONN.

**MORETHANALL**  
 PCB CONNECTORS  
 Cable ASSEMBLIES  
**煜倫股份有限公司**  
 www.morethanall.com

SIZE A4 PPROJECTION





**PACKING INFORMATION**

PART NAME	SPECIFICATION
△ QUANTITY OF PER REEL	220PCS/REEL
QUANTITY OF PER CARTON	5*220=1100PCS/CARTON
TRAY TYPE	∅330X44H
CARTON SIZE	340*340*310
For ocean and air shipping products cover paperboard	

**RoHS Compliant**

TOLERANCES ARE

**MORETHANALL**  
PCB CONNECTORS  
Cable ASSEMBLIES

煜倫股份有限公司

www.morethanall.com

DRAWING BY CY	X, ±
CHECKED BY GENIUS	.X ± 0.30
UNIT / mm	.XX ± 0.25
SCALE 1:1	.XXX ±
DATE	ANG ±
SIZE A4	PPOJECTION



**ORDER INFORMATION**

CFB-PW27AX002PPR-21-LF

SERIES	LEADFREE
MALE	21WAY
90°SMT	REEL
POST TO POST 27.15mm	PUSH PUSH
A TYPE	RVS
NON SCREW HOLE	STANDOFF 0.0mm

DESCRIPTION: CFexpress TypeB PUSH CONN.