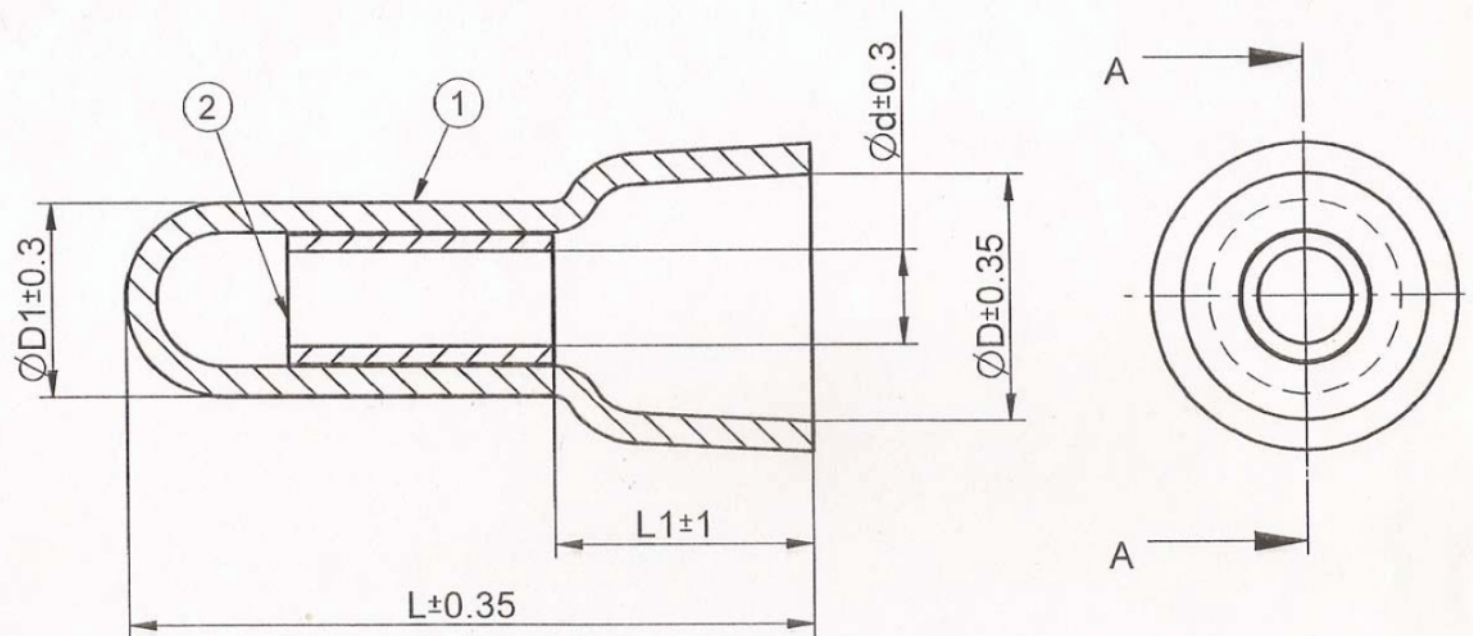


ITEM	Material	Q'TY
1	NYLON 66	1
2	COPPER	1



剖面 A-A

NO	Description	Ød	ØD	ØD1	L	L1	防火等級
CEC-N-16	AWG 22-16 (UL/CSA)	2.6	6.5	5.1	18	7.7	94-V2
CEC-N-14	AWG 16-14 (UL/CSA)	3.2	7.9	5.6	20.1	8.5	94-V2
CEC-N-10	AWG 12-10 (UL/CSA)	4.3	10.5	7.2	24.6	11.9	94-V2
CEC-N-08	AWG 8 (UL/CSA)	5.2	12.2	9.2	27.3	13	94-V2

MORETHANALL
PCB CONNECTORS
Cable ASSEMBLIES

煜倫股份有限公司

www.morethanall.com

RoHS Compliant

DRAWING BY CY

CHECKED BY GENIUS

UNIT/mm SCALE 1:1

DATE

SIZE A4

TOLERANCES ARE

X.±
.X±
.XX±
.XXX±
ANG±

照片框

P PROJECTION

ORDER INFORMATION

CEC-N-xx-LF
SERIES | LEADFREE
08:8 AWG
16:16 AWG
NYLON

DESCRIPTION: