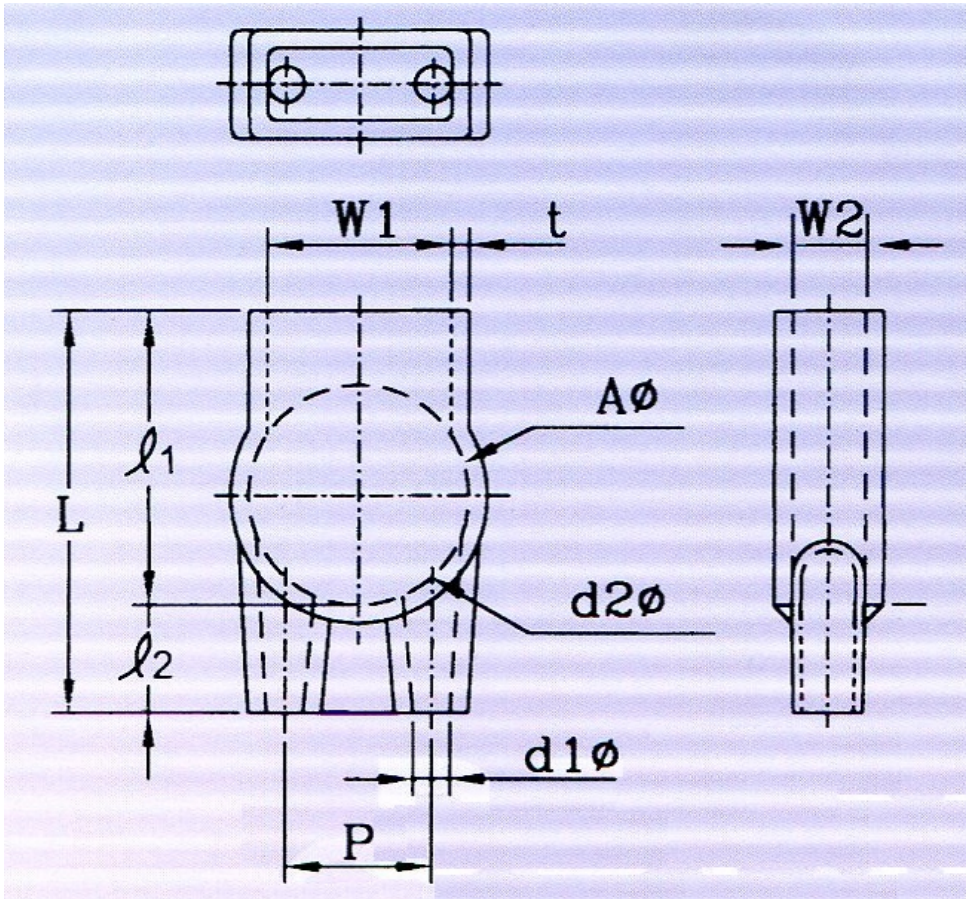


電容器護套

Capacitor Cover



Packing unit: 1,000 pcs per bag

Item No.	$A\phi$	$d_1\phi$	P	$l_1\pm 0.5$	$l_2\pm 0.5$	$L\pm 1$	W_1	W_2	$t\pm 0.2$
CC-V-12	12.0	1.5	6.5	13.0	6.0	19.0	9.6	4.2	1.0
CC-V-14	14.0	2.0	9.0	16.0	6.0	22.0	12.0	4.2	1.0
CC-V-16	16.0	2.0	9.0	20.0	13.0	33.0	12.0	5.0	1.0
CC-V-18	18.0	2.0	10.0	21.0	15.0	36.0	14.0	5.0	1.0
CC-V-185	18.5	1.5	15.0	11.0	15.0	26.0	18.5	5.5	1.0

* 計畫開發產品 Planning to create
 ◆ 為近期開發之規格，尚未申請UL認證。
 ◆ The specification developed recently, has not applied for UL authentication yet.

RoHS Compliant

TOLERANCES ARE

MORETHANALL
 PCB CONNECTORS
 Cable ASSEMBLIES

煜倫股份有限公司

www.morethanall.com

DRAWING BY CY

CHECKED BY GENIUS

UNIT / mm SCALE 1:1

DATE

SIZE A4

X, ±

.X ±

.XX ±

.XXX ±

ANG ±

P PROJECTION

照片框

ORDER INFORMATION

CC-V-xx-LF
 SERIES | T LEADFREE
 | 12:12.0Ø
 | 185:18.5Ø
 PVC

DESCRIPTION: