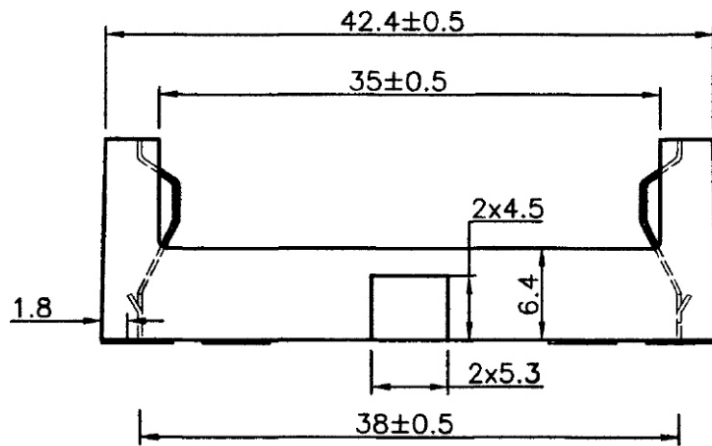
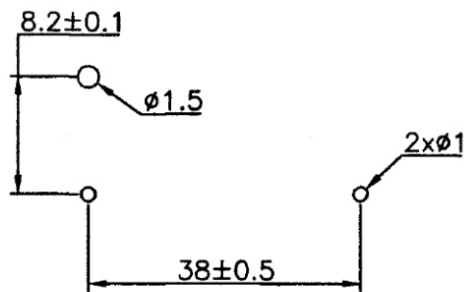


PCB/MOUNTING LAYOUT



SPECIFICATION

- (1) ITEM NO:
- (2) MATERIAL: ABS RESIN, BLACK COLOR
- (3) CONTACT: 0.3MM SPRING STEEL
NICKEL PLATED
- (4) WIRE: UL1007 AWG#26
BLACK & RED 40MM±5MM

RoHS Compliant

TOLERANCES ARE

MORETHANALL
PCB CONNECTORS
Cable ASSEMBLIES

DRAWING BY CY

CHECKED BY GENIUS

UNIT / mm SCALE 1:1

DATE

SIZE A4

X. ±
.X ±
.XX ±
.XXX ±
ANG ±

PJECTION

照片框

ORDER INFORMATION

BTHX1-CR123A-xxx-LF
SERIES | LEADFREE
040:40mm
CR123A

煜倫股份有限公司

www.morethanall.com

DESCRIPTION: