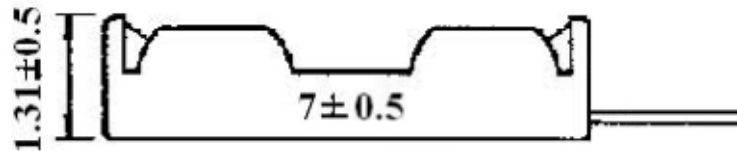
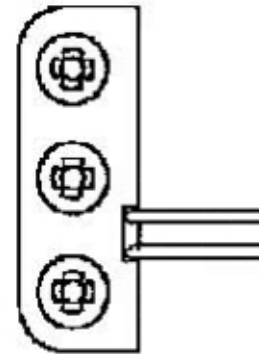
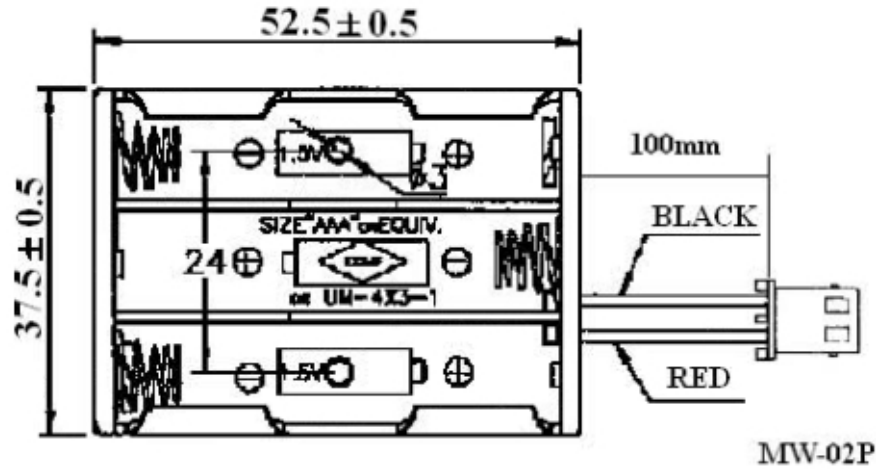


**SPECIFICATION**

**MATERIAL: P.P RESIN, BLACK COLOR**

**SPRING: 0.6mm 65C SPRING WIRE**



NO	TYPE	DESCRIPTION	QTY	UNIT
3	CONNECTOR	BATTERY HOLDER 3AAA	1	PCS
2	CONNECTOR	MW 2.5-2P	1	PCS
1	CABLE	UL1007 #26*2C (RED, BLACK)	0.10	M

**RoHS Compliant**

TOLERANCES ARE

**MORETHANALL**  
PCB CONNECTORS  
Cable ASSEMBLIES

煜倫股份有限公司

www.morethanall.com

DRAWING BY CY

CHECKED BY GENIUS

UNIT / mm

SCALE 1:1

DATE

SIZE A4

X, ±

.X ±

.XX ±

.XXX ±

ANG ±

PROJECTION

照片框

**ORDER INFORMATION**

BTHMW-3AAA0226-F10C-LF

SERIES

LEADFREE

100mm

FEMALE

26 AWG

3XAAA TO 02 WAY

DESCRIPTION: