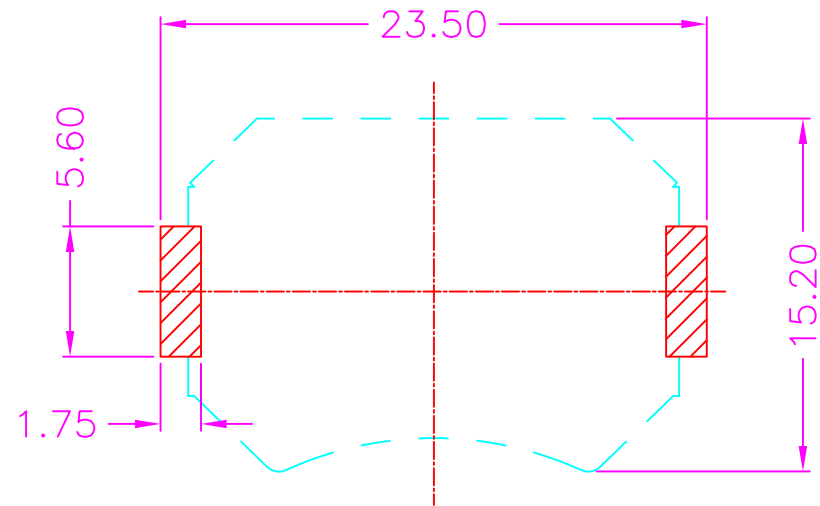
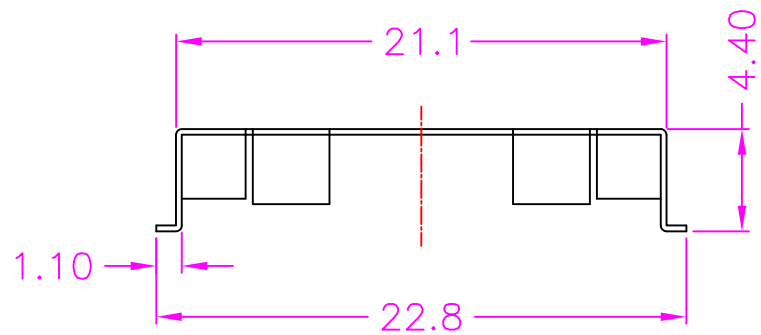


MATERIALS

SHELL: COPPER ALLOY, NICKEL PLATING



P.C.B. LAYOUT
TOP VIEW ±0.05

RoHS Compliant

TOLERANCES ARE

MORETHANALL
PCB CONNECTORS
Cable ASSEMBLIES

DRAWING BY CY

X. ± 0.40

CHECKED BY GENIUS

.X ± 0.30

UNIT / mm

SCALE 1:1

.XX ± 0.20

DATE

.XXX ± 0.10

ANG ±

照片框

ORDER INFORMATION

BTH-W44-20-LF
SERIES | LEADFREE
CR2032
HIGH 4.4mm
90°SMT

煜倫股份有限公司

www.morethanall.com

SIZE A4

PPOJECTION

DESCRIPTION: BATTERY HOLDER, SMT, FULL METAL SHIELD, CR2032