

MATERIALS

SHELL: COPPER ALLOY, NICKEL PLATING

RoHS Compliant

TOLERANCES ARE

MORETHANALL
PCB CONNECTORS
Cable ASSEMBLIES

DRAWING BY CY

X. ± 0.40

CHECKED BY GENIUS

.X ± 0.30

UNIT / mm

SCALE 1:1

.XX ± 0.20

.XXX ± 0.10

DATE

ANG ±

照片框

ORDER INFORMATION

BTH-W39R-16-LF
SERIES | REEL | LEADFREE
CR1632
HIGH 3.96mm
90°SMT

煜倫股份有限公司

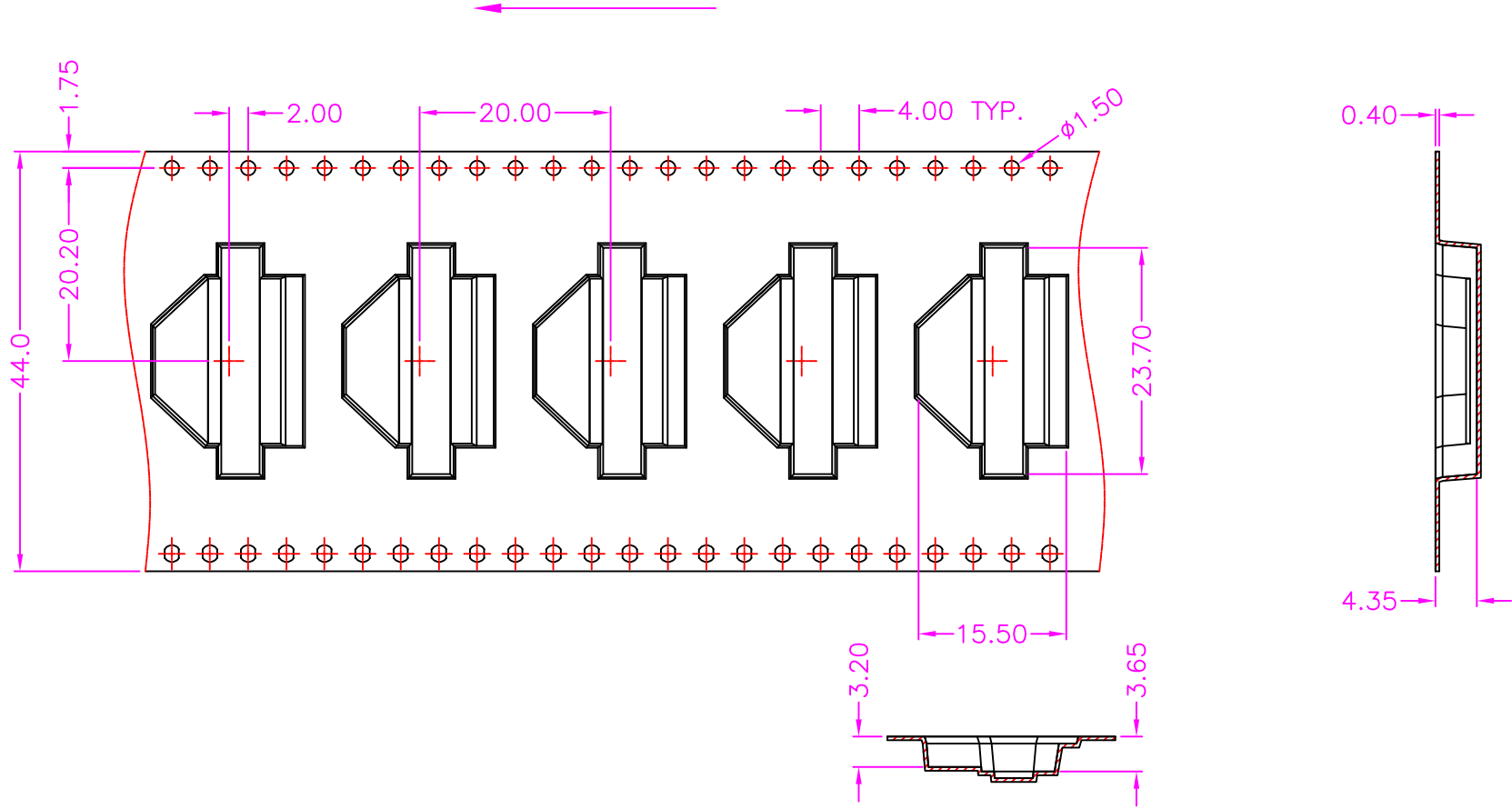
www.morethanall.com

SIZE A4

PPOJECTION

DESCRIPTION: BATTERY HOLDER, SMT, FULL METAL SHIELD, CR1632

PULL OUT DIRECTION



NOTE: 700PCS/ REEL

RoHS Compliant

TOLERANCES ARE

MORETHANALL
PCB CONNECTORS
Cable ASSEMBLIES

DRAWING BY CY

X. ± 0.40

CHECKED BY GENIUS

.X ± 0.30

UNIT / mm

SCALE 1 : 1

.XX ± 0.20

.XXX ± 0.10

DATE

ANG \pm

照片框

ORDER INFORMATION

BTH-W39R-16-LF
SERIES | REEL | LEADFREE
CR1632
HIGH 3.96mm
90°SMT

煜倫股份有限公司

www.morethanall.com

SIZE A4

PJECTION

DESCRIPTION: BATTERY HOLDER, SMT, FULL METAL SHIELD, CR1632