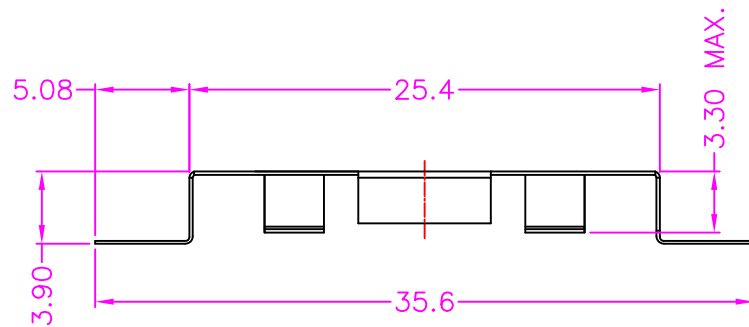


MATERIALS
SHELL: COPPER ALLOY, NICKEL PLATING



MORETHANALL
PCB CONNECTORS
Cable ASSEMBLIES

煜倫股份有限公司

www.morethanall.com

RoHS Compliant

DRAWING BY CY

CHECKED BY GENIUS

UNIT / mm SCALE 1 : 1

DATE

SIZE A4

TOLERANCES ARE

X. ± 0.40

.X ± 0.30

.XX ± 0.20

.XXX ± 0.10

ANG ±

PPOJECTION

照片框

ORDER INFORMATION

BTH-W39-24-LF

SERIES | LEADFREE

CR2430

HIGH 3.9mm

90°SMT

DESCRIPTION: BATTERY HOLDER, SMT, FULL METAL SHIELD, CR2430