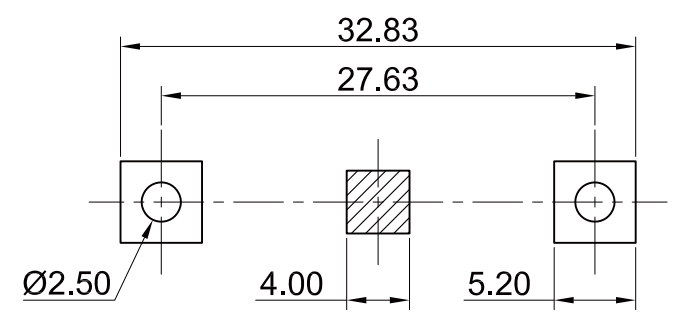
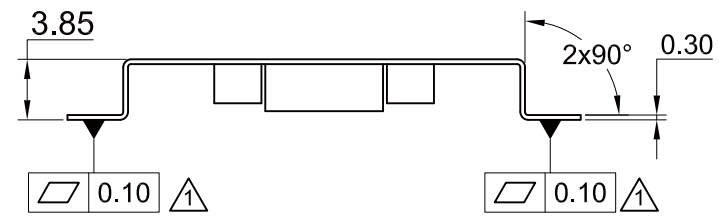
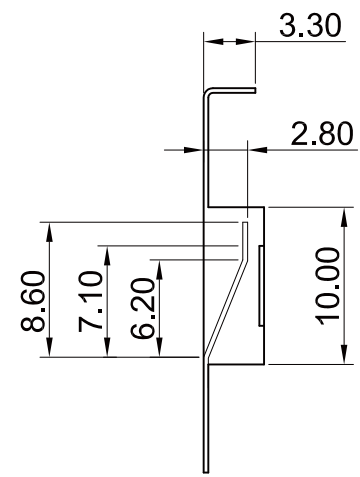


- NOTES
- (1) MATERIAL: 0.3MM THICK PHOSPHOR BRONZE NICKEL PLATED
 - (2) TOLERANCE: ISO 2768-M, UNLESS OTHERWISE SPECIFIED
 - (3) PROCESS CORNER R=0.30MM
 - (4) SURFACE NO BURRS, NO GREASE
 - (5) RoHS COMPLIANT



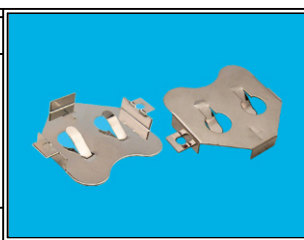
PCB Mounting layout

RoHS Compliant

TOLERANCES ARE

MORETHANALL
PCB CONNECTORS
Cable ASSEMBLIES
煜倫股份有限公司
www.morethanall.com

| | | |
|-------------------|-------------|--|
| DRAWING BY CY | | X, ± .X ± .XX ± .XXX ± ANG ± |
| CHECKED BY GENIUS | | |
| UNIT / mm | SCALE 1 : 1 | |
| DATE | | |
| SIZE A4 | PJECTION | |



ORDER INFORMATION

BTH-W38-24-LF
SERIES | LEADFREE
CR 2430
HIGH 3.85mm
90°SMT

DESCRIPTION: