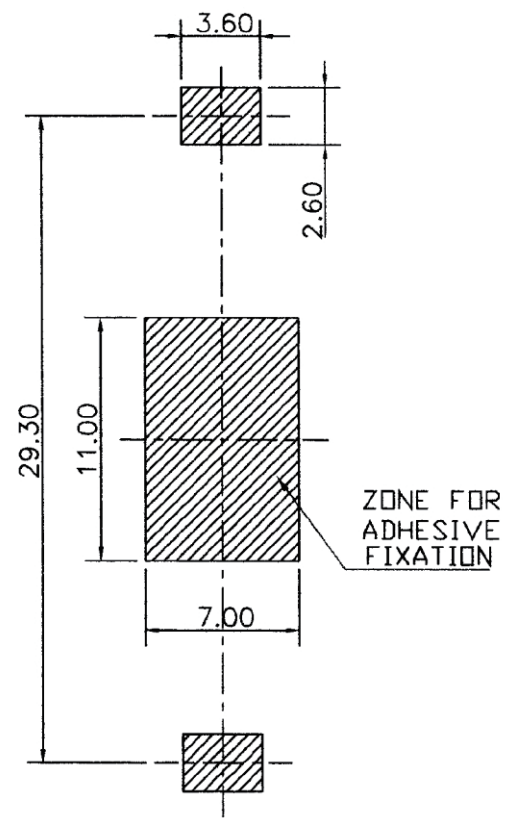


SECTION A-A



PCB LAYOUT

NOTES

- 1.MATERIAL: HOUSING-LCP 30%GF UL94V-0 WHITE COLOR
CONTACTS-PHOSPHORBRONZE C5191R-H
- 2.PLATING: GOLD 1u MIN OVER Ni 5u MIN LEAD FREE
- 3.REFLOW TEMP.: 260 °C PURE TIN
- 4.RoHS COMPLIANT

RoHS Compliant

TOLERANCES ARE



煜倫股份有限公司

www.morethanall.com

DRAWING BY CY

CHECKED BY GENIUS

UNIT / mm SCALE 1 : 1

DATE

SIZE A4

- X, ±
- .X ±
- .XX ±
- .XXX ±
- ANG ±

PJECTION



ORDER INFORMATION

BTH-V57G-20-LF
 SERIES | | | LEADFREE
 | | | CR2032
 | | | GOLD
 | | | HIGH 5.75mm
 | | | 180°SMT

DESCRIPTION: