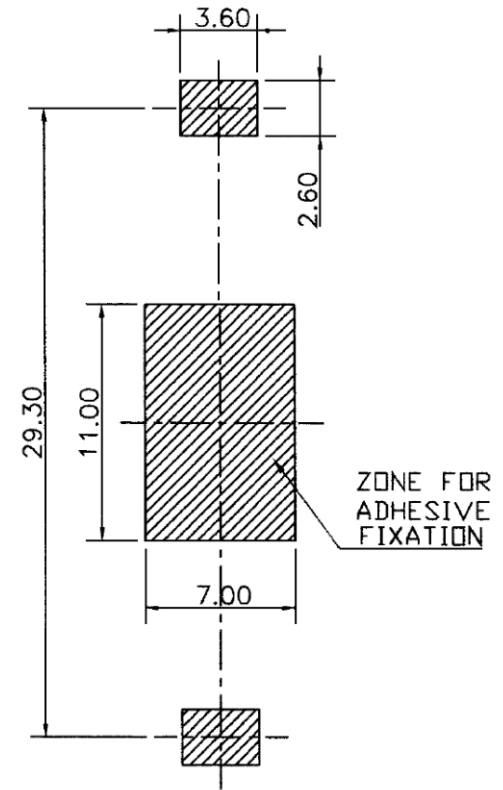


SECTION A-A



PCB LAYOUT

SPECIFICATION

1. MATERIAL : HOUSING: LCP 30% GF UL 94V0
 CONTACT: PHOSPHOR BRONZE C 5191R-H
 PLATING: GOLD FLASH
2. COLOR : WHITE
3. ROHS COMPLIANCE

RoHS Compliant

TOLERANCES ARE



煜倫股份有限公司

www.morethanall.com

DRAWING BY CY		X. ± .X ± .XX ± .XXX ± ANG ±
CHECKED BY GENIUS		
UNIT / mm	SCALE 1 : 1	
DATE		
SIZE A4	PPOJECTION	

照片框

ORDER INFORMATION

BTH-V57-20-LF
 SERIES | LEADFREE
 CR2032
 HIGH 5.75mm
 180°SMT

DESCRIPTION: