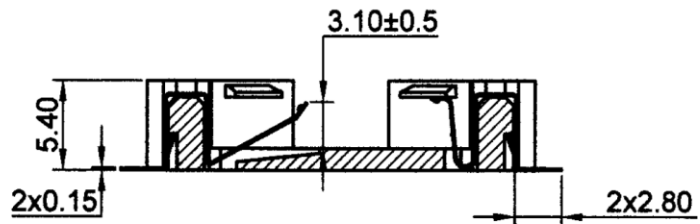
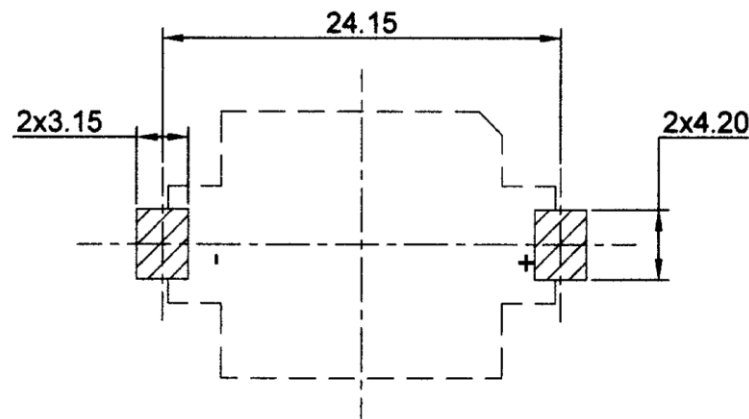


SPECIFICATION

- (1) HOUSING MATERIAL: LCP UL94V0, WHITE COLOR
- (2) CONTACT MATERIAL: 0.15MM THICK PHOSPHOR BRONZES TIN PLATED
- (3) CURRENT RATING : 0.5A (AC/DC)
- (4) VOLTAGE RATING : 500V (AC/DC)
- (5) CONTACT RESISTANCE: 30 MILLIOHMS
- (6) INSULATION RESISTANCE: 1000 MEGAOHMS
- (7) TEMPERATURE RANGE: -55° C TO +85° C
- (8) HUMIDITY: 40° C AND 90-95% RH FOR 96 HOURS



SECTION: A-A



PCB MOUNTING LAYOUT

RoHS Compliant

TOLERANCES ARE

MORETHANALL
PCB CONNECTORS
Cable ASSEMBLIES

DRAWING BY CY

CHECKED BY GENIUS

UNIT / mm SCALE 1 : 1

DATE

SIZE A4

X, ±
.X ±
.XX ±
.XXX ±
ANG ±

PPOJECTION

照片框

ORDER INFORMATION

BTH-V54-16-LF
SERIES | LEADFREE
CR1632
HIGH 5.4mm
180°SMT

煜倫股份有限公司

www.morethanall.com

DESCRIPTION: