

1. MATERIALS AND FINISH

INSULATOR: PPS WITH 30% GLASS FIBRE.
UL94V-0 RATING.

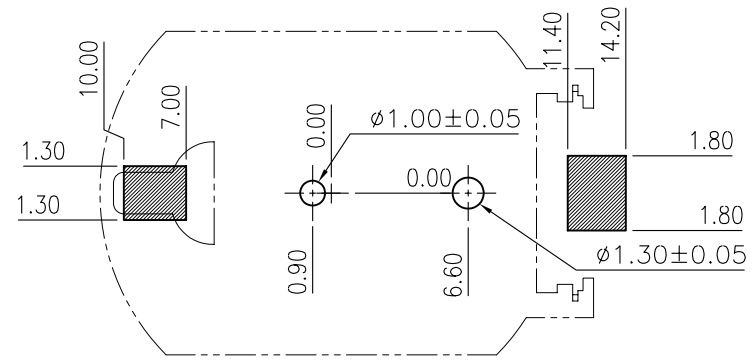
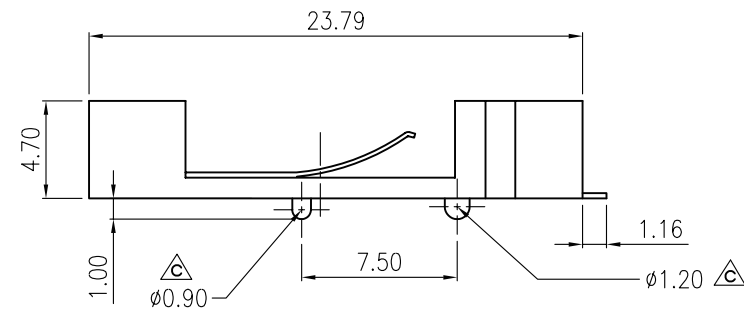
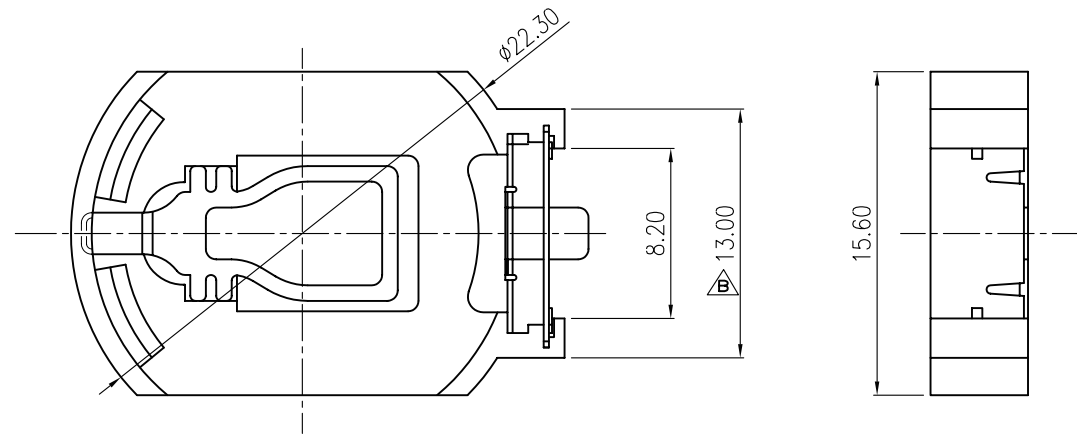
CONTACTS : PHOSPHOR BRONZE ALLOY

CONTACT FINISH : GOLD OVER NICKEL

CONTACT FINISH : GOLD OVER NICKEL

2. ALL DIMENSIONS ARE MILLIMETERS

△ 3..一般迴焊爐可承受溫度221°



RECOMMENDED P.C.B LAYOUT

RoHS Compliant

TOLERANCES ARE

MORETHANALL
PCB CONNECTORS
Cable ASSEMBLIES

DRAWING BY CY

CHECKED BY GENIUS

UNIT / mm SCALE 1 : 1

DATE

SIZE A4

X, ±
.X ± 0.25
.XX ± 0.15
.XXX ±
ANG ±

PPOJECTION

照片框

ORDER INFORMATION

BTH-V47-20-LF
SERIES | LEADFREE
CR 2032
HIGH 4.7mm
180°SMT

煜倫股份有限公司

www.morethanall.com

DESCRIPTION: I/O STANDARD BATTERY HOLDER SMT (CR2032)