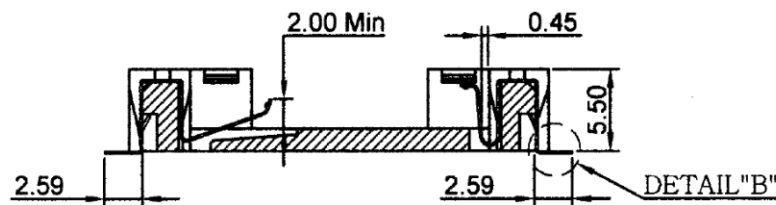
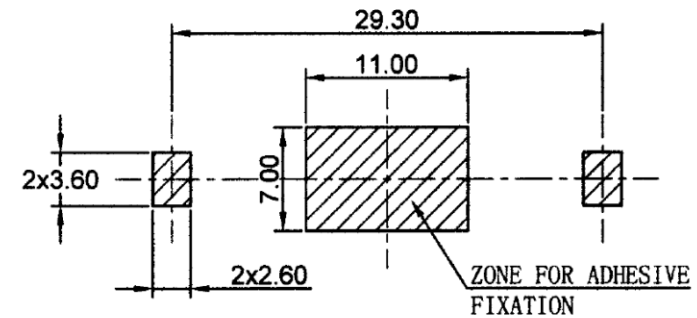


DETAIL "B" S=6



SECTION: A-A



PCB MOUNTING LAYOUT

NOTES

1. MATERIAL:

HOUSING: LCP+30%GF UL94V0 WHITE COLOR  
 CONTACT: PHOSPHOR BRONZE 0.15 THICKNESS  
 GOLD 1U" PLATED OVER Ni 50U" MIN

- 2. CURRENT RATING : 2A (AC/DC)
- 3. VOLTAGE RATING : 500V (AC/DC)
- 4. CONTACT RESISTANCE: 30 MILLIOHMS
- 5. INSULATION RESISTANCE: 500 MEGAOHMS
- 6. TEMPERATURE RANGE: -55 °C TO +85 °C
- 7. HUMIDITY: 40 °C AND 90-95% RH FOR 96 HOURS

RoHS Compliant

TOLERANCES ARE



煜倫股份有限公司

www.morethanall.com

DRAWING BY CY		X, ± .X ± .XX ± .XXX ± ANG ±
CHECKED BY GENIUS		
UNIT / mm	SCALE 1 : 1	
DATE		
SIZE A4	PJECTION	

照片框

ORDER INFORMATION

BTH-V-20-LF  
 SERIES | LEADFREE  
 CR 2032  
 180°SMT

DESCRIPTION: