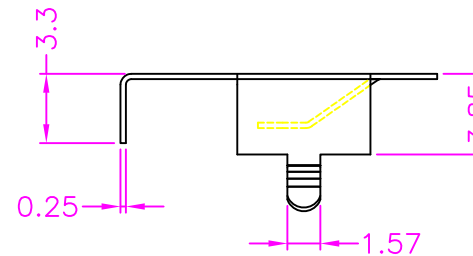
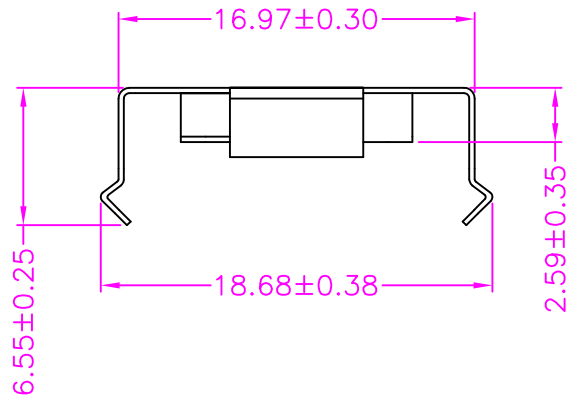
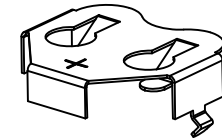


P.C.B LAYOUT  
TOP VIEW ±0.05



MATERIALS

SHELL: COPPER ALLOY, NICKEL PLATING

RoHS Compliant

TOLERANCES ARE



煜倫股份有限公司

www.morethanall.com

DRAWING BY CY

CHECKED BY GENIUS

UNIT / mm SCALE 1 : 1

DATE

SIZE A4

X. ± 0.40

.X ± 0.30

.XX ± 0.20

.XXX ± 0.10

ANG ±

PJECTION

照片框

ORDER INFORMATION

BTH-R38-16-LF  
SERIES | LEADFREE  
CR1632  
HIGH 3.85mm  
DIP 90°

DESCRIPTION: BATTERY HOLDER, DIP, FULL METAL SHIELD, CR1632