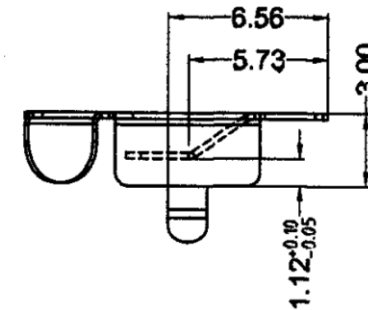
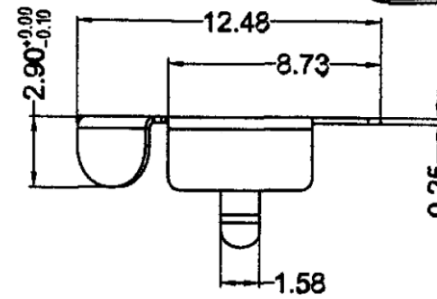
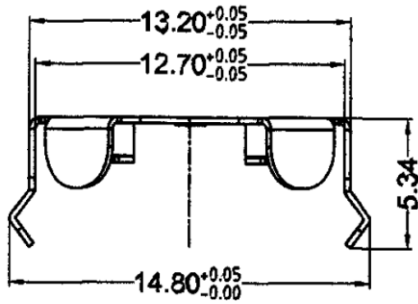


PCB LAYOUT



SPECIFICATION

- (1) MATERIAL: 0.25MM PHOSPHOR BRONZE
NICKEL PLATED
- (2) USE MINIMUM BEND RADII
- (3) RoHS COMPLIANT

RoHS Compliant

TOLERANCES ARE



煜倫股份有限公司

www.morethanall.com

DRAWING BY CY

CHECKED BY GENIUS

UNIT / mm SCALE 1 : 1

DATE

SIZE A4

X, ±
.X ±
.XX ±
.XXX ±
ANG ±

PJECTION

照片框

ORDER INFORMATION

BTH-R30-12-LF
SERIES | LEADFREE
CR1220
HIGH 3.0mm
DIP 90°

DESCRIPTION: