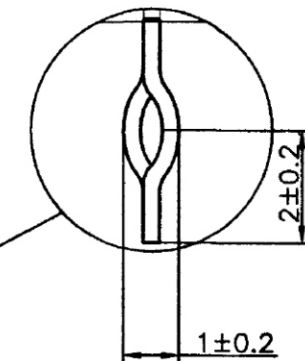
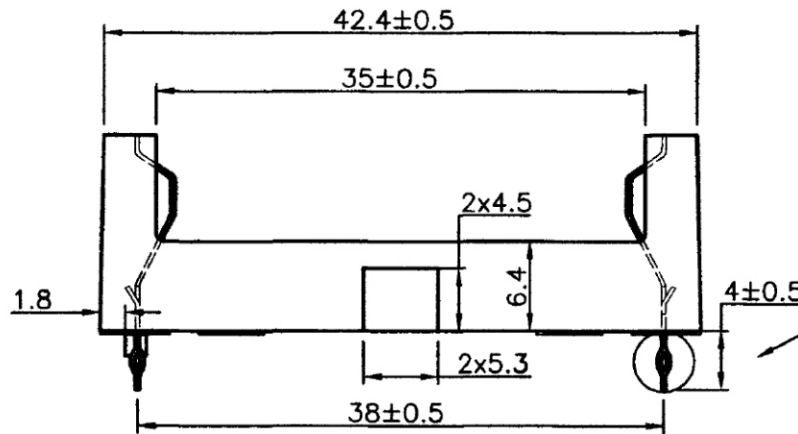
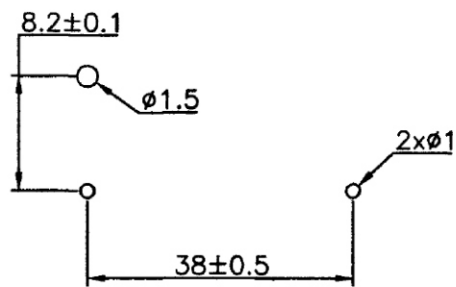


PCB/MOUNTING LAYOUT



SPECIFICATION

- (1) ITEM NO:
- (2) MATERIAL: ABS RESIN, BLACK COLOR
- (3) CONTACT: 0.3MM SPRING STEEL
NICKEL PLATED

RoHS Compliant

TOLERANCES ARE

MORETHANALL
PCB CONNECTORS
Cable ASSEMBLIES

DRAWING BY CY

CHECKED BY GENIUS

UNIT / mm SCALE 1 : 1

DATE

SIZE A4

X. ±
.X ±
.XX ±
.XXX ±
ANG ±

PPOJECTION

照片框

ORDER INFORMATION

BTH-DP-CR123A-LF
SERIES | CR123A | LEADFREE
POST
DIP 180°

煜倫股份有限公司

www.morethanall.com

DESCRIPTION: