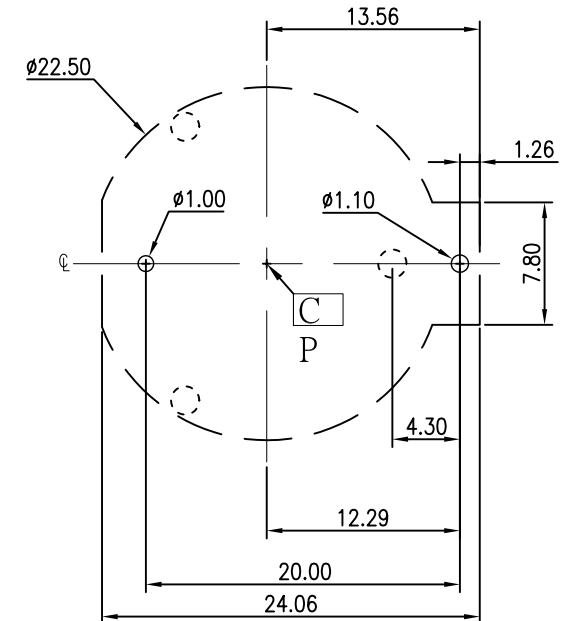
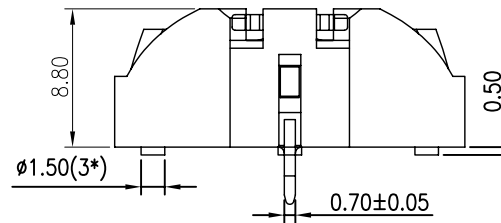


SECTION A-A



TOP VIEW

RECOMMENDED PC BOARD LAYOUT

Tolerance:±0.05

NOTES:

1.MATERIAL:

HOUSING: PBT+30%G.F, BLACK

CONTACT: COPPER ALLOY

2.CONTACT FINISH: Positive And Negative C2680\_Ni50u",Sn100u"Min.

3.RoHS COMPLIANT.

RoHS Compliant

TOLERANCES ARE

**MORETHANALL**  
PCB CONNECTORS  
Cable ASSEMBLIES

煜倫股份有限公司

www.morethanall.com

DRAWING BY CY

CHECKED BY GENIUS

UNIT / mm SCALE 1 : 1

DATE

SIZE A4

X. ± 0.30

.X ± 0.30

.XX ± 0.20

.XXX ± 0.10

ANG ± 1°

PJECTION

照片框

ORDER INFORMATION

BTH-D88-20-LF

SERIES | LEADFREE  
FOR CR2032  
HIGH 8.8mm  
DIP 180°

DESCRIPTION: