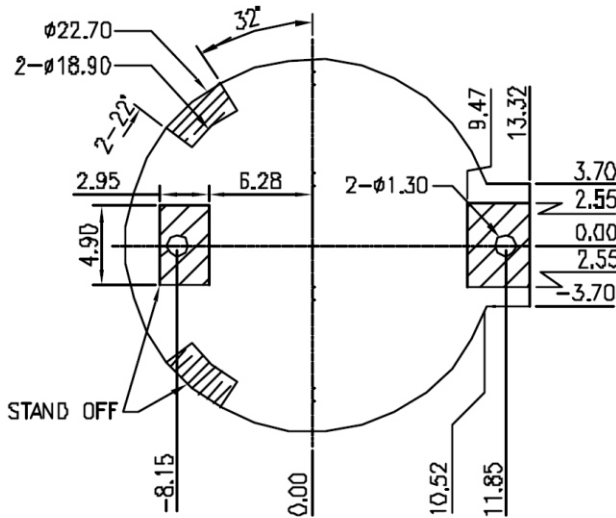


SECTION A-A



RECOMMENDED PC BOARD LAYOUT

NOTES:

1.DIMENSIONS ARE IN MILLIMETERS

2.MATERIAL:

PLASTIC PART: PBT WITH GLASS FIBER,
UL94V-0, BLACK;
CONTACT: POSITIVE (BRASS C2680.)
NEGATIVE (PB C5191)

3.FINISH:

CONTACT: 1).NICKEL 50u" MIN OVER ALL.
2).Tin 10D u" MIN OVER ALL

BTH-D116-20-LF

LEADFREE

RoHS Compliant



PART NO. **BTH-D116-20**

DWG NO. **BTH-D116-20**

FILE NO.

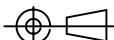
UNIT / mm

SCALE 1:1

CHECKED BY CY

DRAWING BY

PROJECTION



TOLERANCES ARE

.X ± 0.2
.XX ±
.XXX ±
AWG

DESCRIPTION:

AREA

REVISIONS

HK

DATE

煜倫股份有限公司