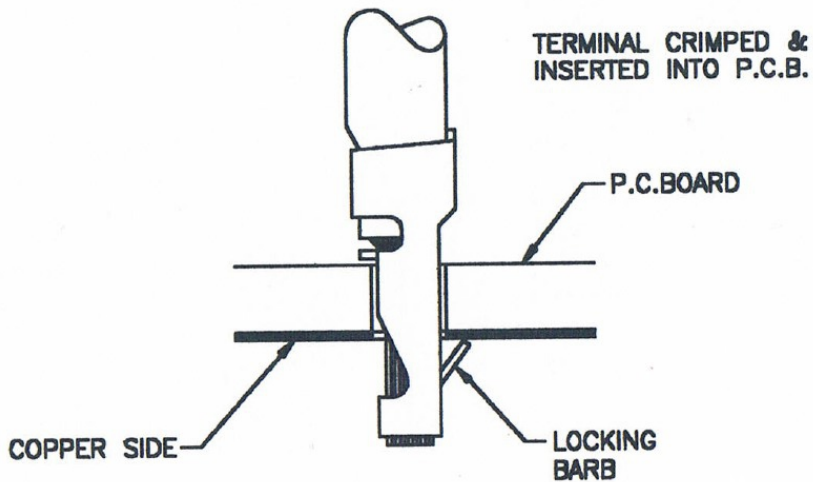


P.C. Board Crimping Terminal  
 Secured wire to P.C. board  
 Rapid and economical means  
 of hand wiring P.C. board directly  
 No additional contact resistance  
 Low profile  
 Recommended P.C. board hole  
 diameter  $\phi 1.2+0.1/-0$ mm for 1.57mm  
 thickness P.C. board  
 Accepts 22-26 AWG wire range



RoHS Compliant

TOLERANCES ARE

**MORETHANALL**  
 PCB CONNECTORS  
 Cable ASSEMBLIES

DRAWING BY CY

X, ±

CHECKED BY GENIUS

.X ±

UNIT / mm

SCALE 1 : 1

.XX ±

DATE

.XXX ±

ANG ±

照片框

ORDER INFORMATION

BT-D12-22-LF

SERIES | LEADFREE  
 22-26AWG  
 PCB HOLE 1.2mm

煜倫股份有限公司

www.morethanall.com

SIZE A4

PJECTION

DESCRIPTION: