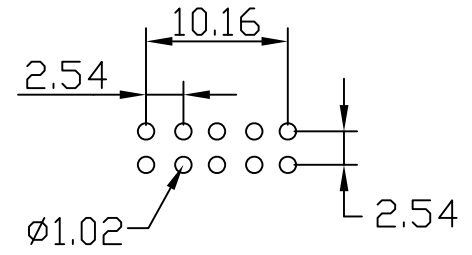
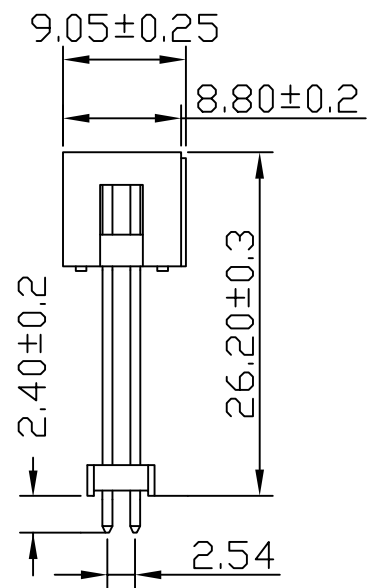
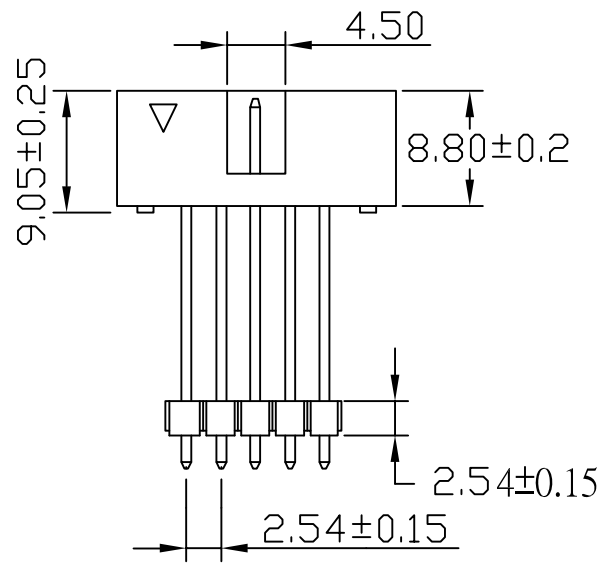
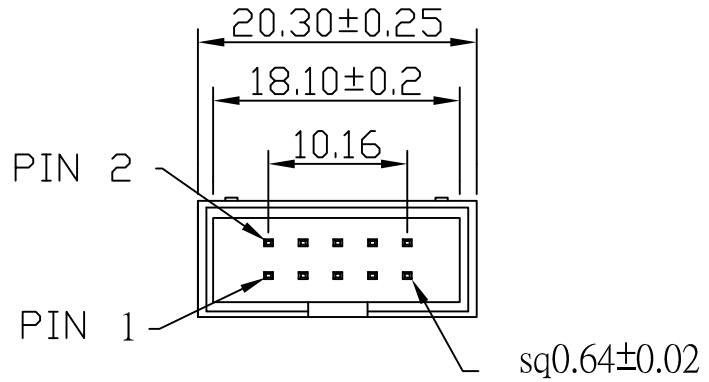


**MATERIALS**

- 1. HOUSING : P.B.T. (UL 94V-0), BLACK.
- 2. TERMINAL : S.Q. 0.64mm BRASS, GOLD PLATING.

**SPECIFICATION**

- 1. CURRENT RATING : 3 AMP. MAX.
- 2. INSULATION RESISTANCE : 5000MΩMin. AT DC 500V
- 3. CONTACT RESISTANCE:20mΩMax. AT DC 100mA
- 4. OPERATING TEMPERATURE : -55°C TO +105°C.



BS-D26224-10-LF  
LEADFREE  
RoHS Compliant



PART NO. BS-D26224-10

DWG NO. BS-D26224-10

FILE NO.

CHECKED BY CY

DRAWING BY

TOLERANCES ARE

.X±0.2  
.XX±  
.XXX±  
AWG

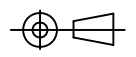
DESCRIPTION:

煜倫股份有限公司

UNIT / mm

SCALE 1:1

PROJECTION



AREA

REVISIONS

HK

DATE