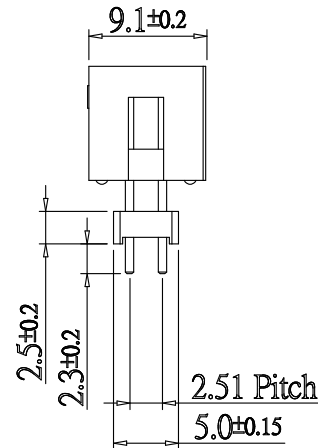
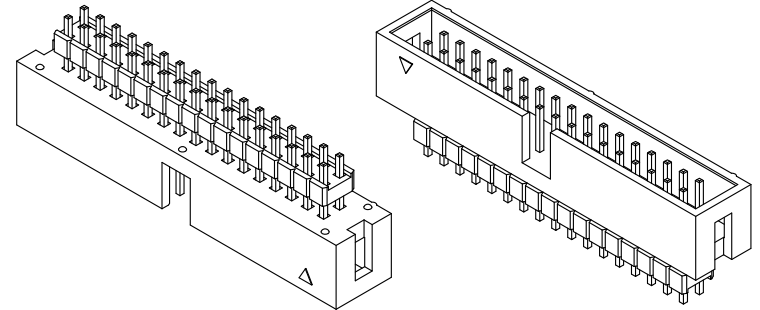


P.C.Board Layout



BS-D13723-34-LF
LEADFREE
RoHS Compliant

Contract:
Contact: Brass.
Insulator: Glass-filled PBT.
Finish: Gold flash plated over nickel.

MORETHANALL
CONNECTORS
ASSEMBLIES

煜倫股份有限公司

PART NO. BS-D13723-34		CHECKED BY CY	TOLERANCES ARE .X ± .XX ± .XXX ± AWG	DESCRIP TION:			
DWG NO. BS-D13723-34							
FILE NO.		DRAWING BY	PROJECTION	AREA	REVISIONS	HK	DATE
UNIT / mm	SCALE 1:1						