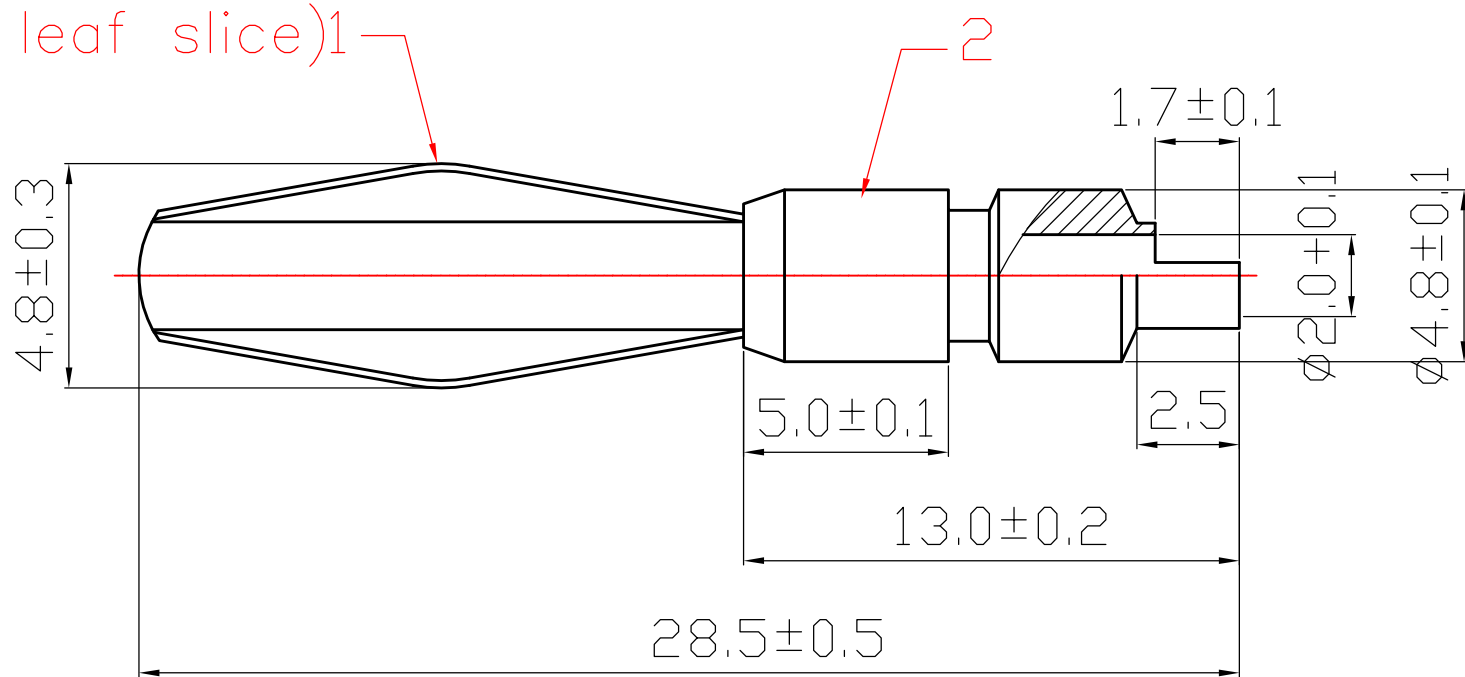


(Four leaf slice)1



BNN4-PS-SB-LF
LEADFREE
RoHS Compliant

2	BODY	Cu
1	BANANA PLUG	Cu
ITEM	DESIGNATION	MATERIAL

M MORETHANALL
CONNECTORS
ASSEMBLIES

PART NO. BNN4-PS-SB

DWG NO. BNN4-PS-SB

FILE NO.

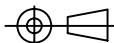
UNIT / mm

SCALE 1:1

CHECKED BY CY

DRAWING BY

PROJECTION



TOLERANCES ARE

.X ± 0.2
.XX ±
.XXX ±
AWG

DESCRIPTION: Banana Plug, Solder Type

AREA

REVISIONS

HK

DATE

煜倫股份有限公司