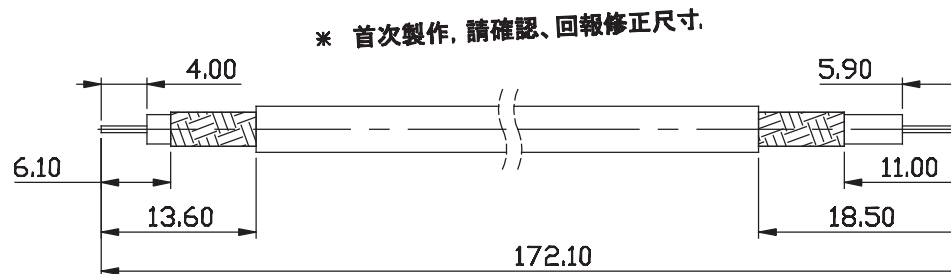


4	BNC Jack	1	BNC-JC-4694R
3	BELDEN 4694R	1	CAB_Belden 4694R
2	HEAT SHRINK TUBE	2	BLACK
1	HD-BNC Plug	1	HDBNC-PC-4694R
NO	DESCRIPTION	Q'TY	ITEM #

* 廠內裁切



RECOMMEND CABLE STRIPPING

RoHS Compliant

TOLERANCES ARE

MORETHANALL
PCB CONNECTORS
Cable ASSEMBLIES

DRAWING BY CY

X. ±

CHECKED BY GENIUS

.X ±

UNIT / mm

SCALE 1 : 1

.XX ±

DATE

.XXX ±

ANG ±

SIZE A4

PJECTION

照片框

ORDER INFORMATION

BNCHDBNC-1S1S4694R-A30-LF

SERIES

LEADFREE
300mm
FEMALE TO MALE

ST/ST

4694R

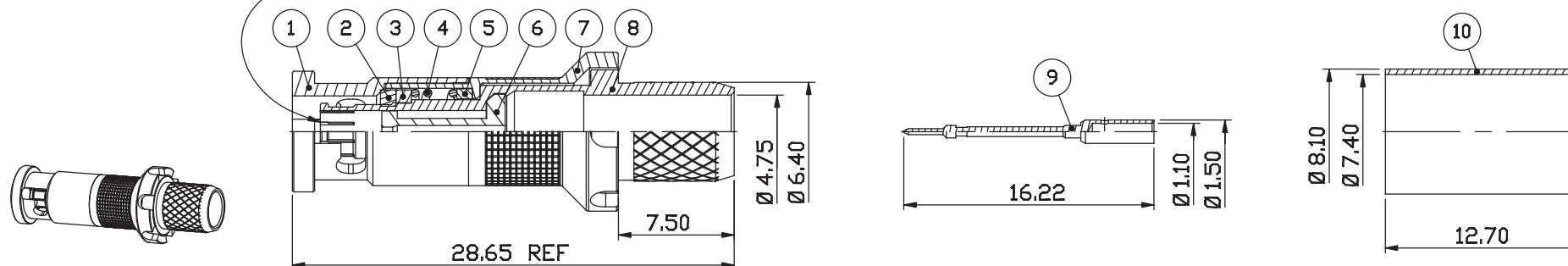
煜倫股份有限公司

www.morethanall.com

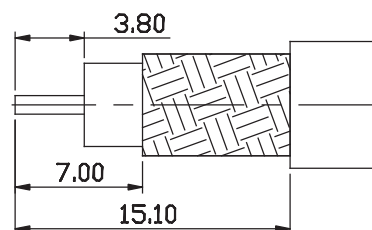
DESCRIPTION:

CRIMP DIM :
FERRULE : HEX 6.98

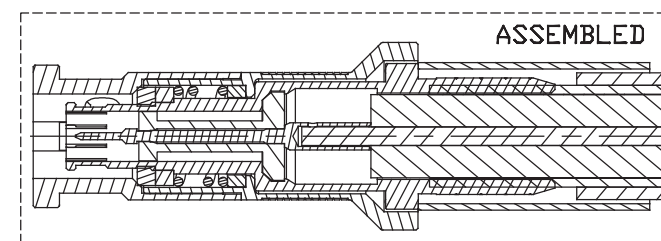
* 請對插檢查
如果彈性太差, 請做撐開處理
撐開尺寸: $\varnothing 3.70 +0.06/-0$



10	FERRULE	BRASS	1	NICKEL	8.1x7.4x12.7	C2700
9	CENTER PIN	BeCu	1	GOLD (4u ²)		C17300
8	BODY	BRASS	1	NICKEL		C3604
7	SHELL	BRASS	1	NICKEL		C3604
6	INSULATOR	PTFE	1	--		ASTM D1710
5	WASHER	BRASS	1	NICKEL		C3604
4	SPRING	STEEL	1	--		SWB
3	WASHER	BRASS	1	NICKEL		C3604
2	GASKET	SILICONE	1	DARK RED	5.4x3.3x1.0	KE- 951-u
1	SHELL	BRASS	1	NICKEL		C3604
NO	DESCRIPTION	MATERIAL	Q'TY	FINISH	ITEM #	CODE #



RECOMMEND CABLE STRIPPING



HD-BNC 75 OHM SPECIFICATIONS

Electrical	
Impedance	75 Ohms
Frequency Range	0-6 GHz
Contact Resistance	
Center Contact	5 m ohm
Outer Contact	2.5 m ohm
Dielectric Withstanding Voltage	500 VRMS
Voltage Rating	170 V
Insulation Resistance	10000 MΩ min
Data Rate	3 Gbps
Return Loss	30 dB min @ 3 GHz

RoHS Compliant

TOLERANCES ARE

MORETHANALL
PCB CONNECTORS
Cable ASSEMBLIES

煜倫股份有限公司

www.morethanall.com

DRAWING BY CY

CHECKED BY GENIUS

UNIT / mm SCALE 1 : 1

DATE

SIZE A4

X, ±
.X ±
.XX ±
.XXX ±
ANG ±

PPOJECTION

照片框

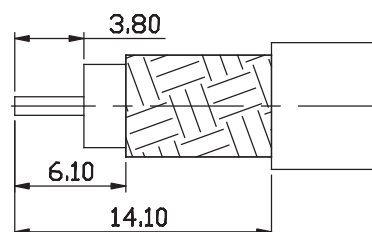
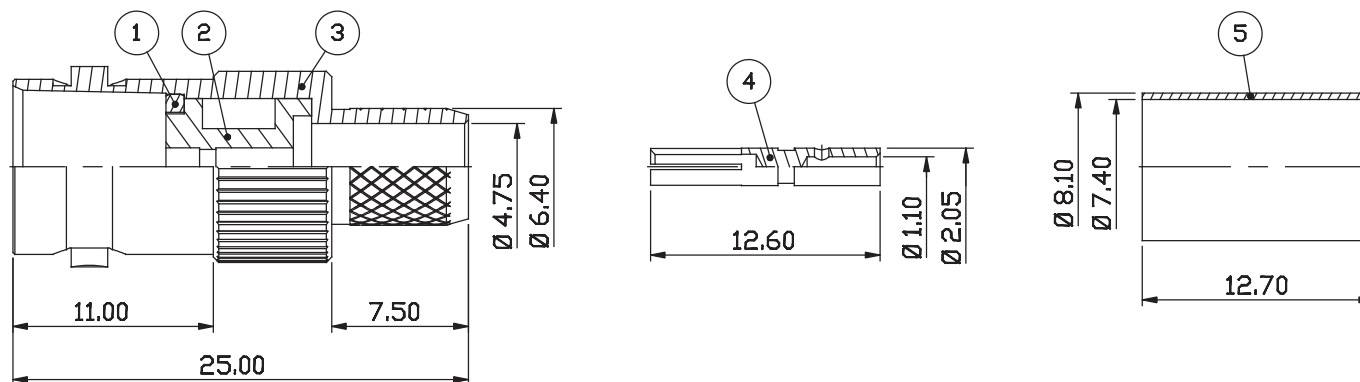
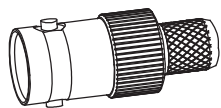
ORDER INFORMATION

HDBNC-PC-1694A-LF

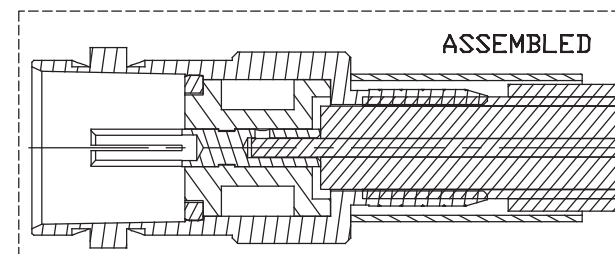
SERIES | LEADFREE
1694A
CRIMP
JACK

DESCRIPTION: MICRO BNC Plug Crimp for BELDEN 1694A, RG6/U, RG6-CATV

CRIMP DIM :
FERRULE : HEX 6.98



RECOMMEND CABLE STRIPPING



NO	DESCRIPTION	MATERIAL	Q'TY	FINISH	ITEM #	CODE #
5	FERRULE	BRASS	1	NICKEL	8.1x7.4x12.7	C2700
4	CENTER PIN	P.H. Bronze	1	GOLD (4u")		C5441
3	BODY	BRASS	1	NICKEL		C3604
2	INSULATOR	PTFE	1	--		ASTM D1710
1	WASHER	BRASS	1	NICKEL		C3604

BNC 75 OHM SPECIFICATIONS

Electrical

Impedance 75 Ohms nominal

Frequency Range 0-4 GHz

VSWR

Type 1: DC-4 GHz 1.5 + 0.1 f(GHz)

Type 2: DC-1 GHz 1.00 + 0.25 f(GHz)

Dielectric Withstanding Voltage 1500 VRMS

Voltage Rating 500 VRMS

Insulation Resistance 5000 MΩ min

RoHS Compliant

TOLERANCES ARE

MORETHANALL
PCB CONNECTORS
Cable ASSEMBLIES

煜倫股份有限公司

www.morethanall.com

DRAWING BY CY

CHECKED BY GENIUS

UNIT / mm SCALE 1 : 1

DATE

SIZE A4

X, ±
.X ±
.XX ±
.XXX ±
ANG ±

PJECTION

照片框

ORDER INFORMATION

BNC-JC-1694A-LF
SERIES | LEADFREE
1694A
CRIMP
JACK

DESCRIPTION: BNC Jack Crimp for BELDEN 1694A, RG6-CATV