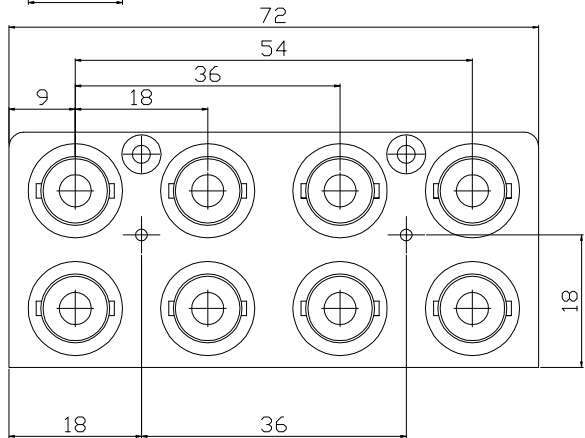
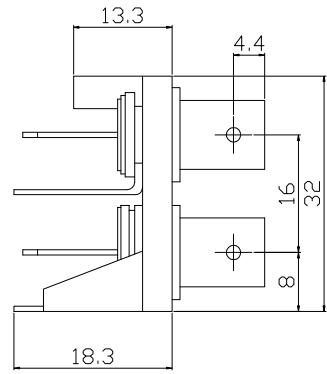
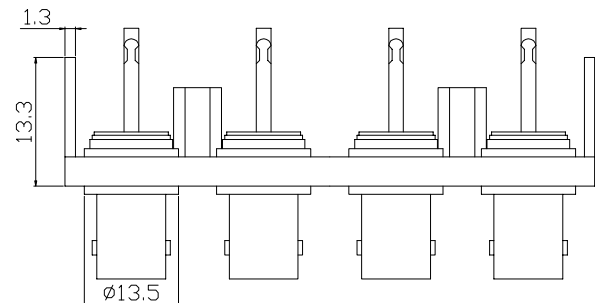
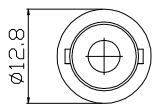
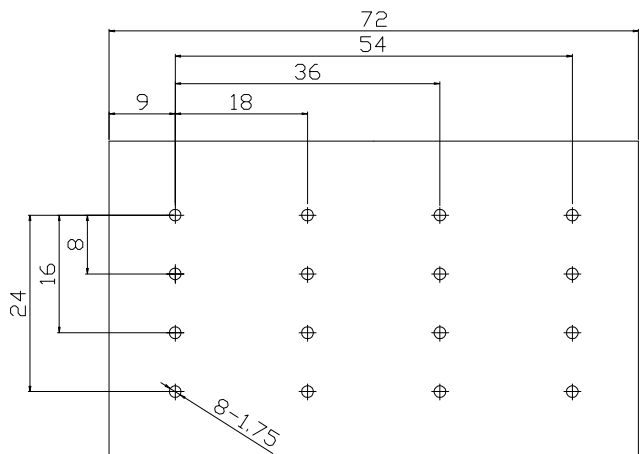
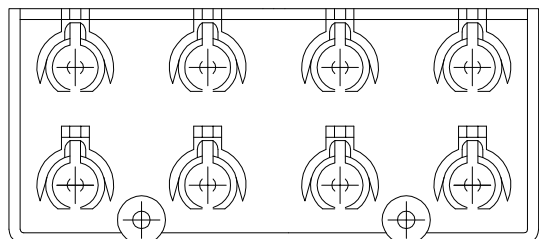


1 2 3 4 5 6 7 8 9 0

J
I
H
G
F
E
D
C
B
A



- 1.MATERIALS :**
 a. BODY : ZINC ALLOY,DIE CASTIN NICKEL PLATED.
 b. CONTACT: BRASS NICKEL PLATED.
 c. BRACKET: A.B.S.
 d. INSULATOR: ENGINEER PLASTIC POM.
2.NOMIAL IMPEDENCE 50(75)OHMS.
3.FREOUENCY RANGE: 0-2 GHZ.
4.MAX PEAK VOLTAGE: 500V
5.DIELECTRIC STRENGTH WITHSTAND 1.5KV NNS.
6.INSULATION RESISTANCE AT 500 VDE 5000 MEGOHMS MAL.

BNCB4-JD-50-LF
 LEADFREE
 RoHS Compliant

MORETHANALL
 CONNECTORS
 ASSEMBLIES

煜倫股份有限公司

PART NO. BNCB4-JD-50		CHECKED BY CY	TOLERANCES ARE .X ± 0.2 .XX ± .XXX ± AWG	DESCRIP TION: BNC FEMALE 2*4 PORT-180			
DWG NO. BNCB4-JD-50				DRAWING BY	AREA	REVISIONS	HK
FILE NO.		PROJECTION					
UNIT / mm	SCALE 1:1						