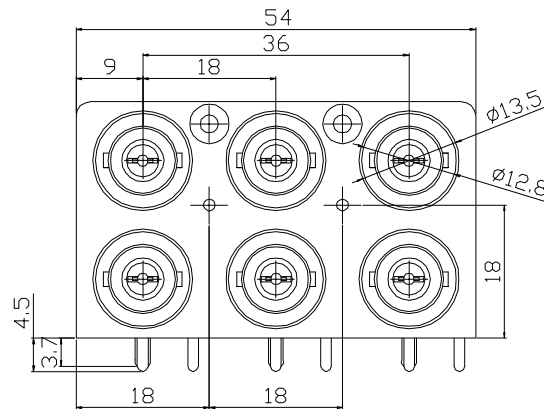
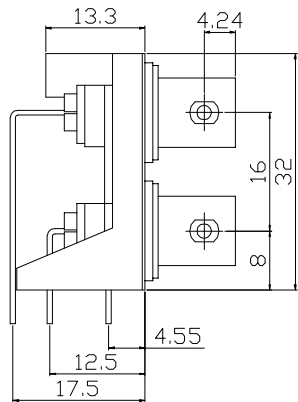


BNCB3-JR-xx-LF
LEADFREE
50:50OHM
75:75OHM
RoHS Compliant



1.MATERIALS :

- a. BODY : ZINC ALLOY,DIE CASTIN NICKEL PLATED.
 - b. CONTACT: BRASS NICKEL PLATED.
 - c. BRACKET: A.B.S .
 - d. INSULATOR: ENGINEER PLASTIC POM .
- 2.NOMIAL IMPEDENCE 50(75)OHMS.**
3.FREOUENCY RANGE: 0-2 GHZ.
4.MAX PEAK VOLTAGE: 500V
5.DIELECTRIC STRENGTH WITHSTAND 1.5KV NNS.
6.INSULATION RESISTANCE AT 500 VDE 5000 MEGOHMS MAL.

MORETHANALL
CONNECTORS
ASSEMBLIES

PART NO. BNCB3-JR-xx

DWG NO. BNCB3-JR-xx

CHECKED BY CY

TOLERANCES ARE

DESCRIP TION: BNC FEMALE R/A 2*3 POP

FILE NO.

DRAWING BY

.X ± 0.2
.XX ±
.XXX ±
AWG

AREA	REVISIONS	HK	DATE
------	-----------	----	------

煜倫股份有限公司

UNIT / mm

SCALE 1:1

PROJECTION

