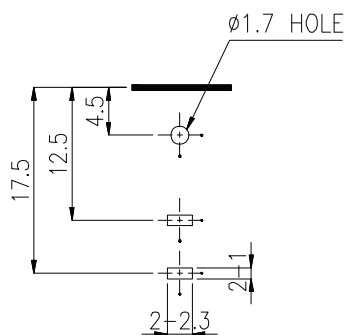


**PCB MTG**

(Solder Surface)



NO	PART NAME	MATERIAL	THICKNESS	QUANTITY	PART NO	REMARK
8	GROUND PLATE	C2680 H	0.3t	1	2P417	G NI -PLAT
7	PIN-L	C2680 H	0.6t	1	2P416	G SN -PLAT
6	PIN-S	C2680 H	0.6t	1	2P279	G SN -PLAT
5	GROUND PIN	C2680 1/2H	0.6t	1	2P2781	G SN -PLAT
4	GROUND PIN	C2680 1/2H	0.6t	1	2P278	G SN -PLAT
3	BUSHING	ABS	94HB	2	2M787	NP
2	COVER	ZDC		2	1C0865	G NI -PLAT
1	BASE	ABS	94HB	1	2M878	BLACK

**RoHS Compliant**

TOLERANCES ARE

**MORETHANALL**  
PCB CONNECTORS  
Cable ASSEMBLIES

**煜倫股份有限公司**

www.morethanall.com

DRAWING BY CY

CHECKED BY GENIUS

UNIT/mm SCALE 1:1

DATE

SIZE A4

0.5-5	±0.2
5-30	±0.4
30-120	±0.6
120-315	±1
315-1000	±1.6
1000-2000	±2.4

P PROJECTION

照片框

**ORDER INFORMATION**

**BNCB1-JR16-50-LF**



DESCRIPTION: