

1 2 3 4 5 6 7 8 9 0

J

I

H

G

F

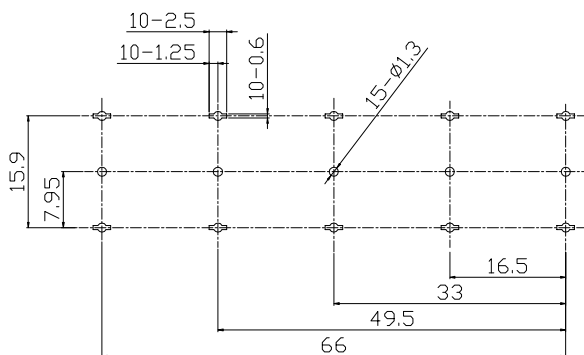
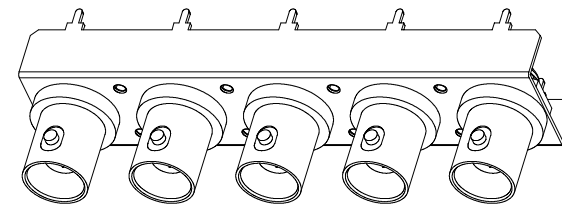
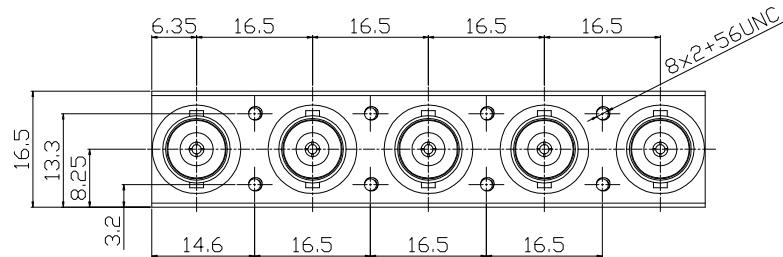
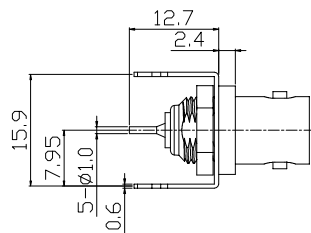
E

D

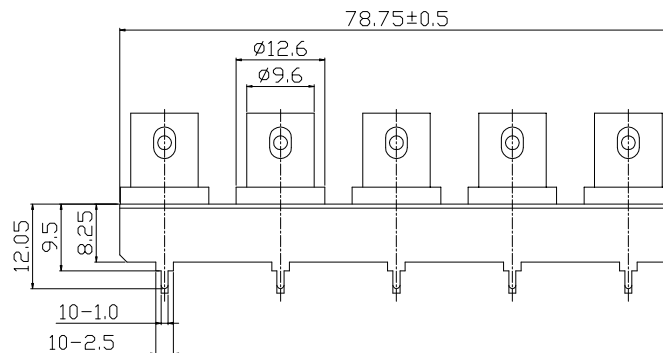
C

B

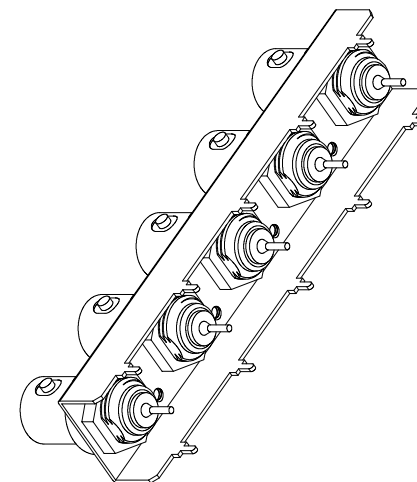
A



BOTH SIDES FOOT PRINT



**ELECTRICAL SPECIFICATIONS:**  
**VOLTAGE RATING:AC 500V**  
**WITH STANDING VOLTAGE:AC 1,500V ONE MINUTE**  
**INSULATION RESISTANCE:1,000MΩ MIN AT DC 500V**  
**CONTACT RESISTANCE:3mΩ MAX AT DC 1A**  
**FREQUENCY RANGE:0-4GHZ**  
**VSWR:1.2MAX 0-2GHZ**  
**IMPEDANCE:75 OHM VERSIONS**



6	NUT	ZINC	NICKEL	5
5	WASHER	IRON	NICKEL	5
4	CONTACT PIN	BRASS	GOLD	5
3	BRACKET	IRON	NICKEL	1
2	INSULATOR	POM	NONE	5
1	BNC BODY	ZINC	NICKEL	5
NO	DESCRIPTION	MATERIAL	FINISH	QT'Y

**BNCA5-JD-75-LF**  
**LEADFREE**  
**RoHS Compliant**



PART NO. BNCA5-JD-75

DWG NO. BNCA5-JD-75

FILE NO.

UNIT / mm

SCALE 1:1

CHECKED BY CY

DRAWING BY

PROJECTION

TOLERANCES ARE

.X±0.2  
 .XX±0.1  
 .XXX±  
 AWG

DESCRIP TION:

BNC FEMALE 1\*5 PORT-180°  
 PANLE TYPE

AREA

REVISIONS

HK

DATE

煜倫股份有限公司