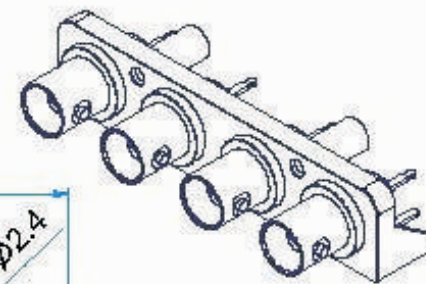
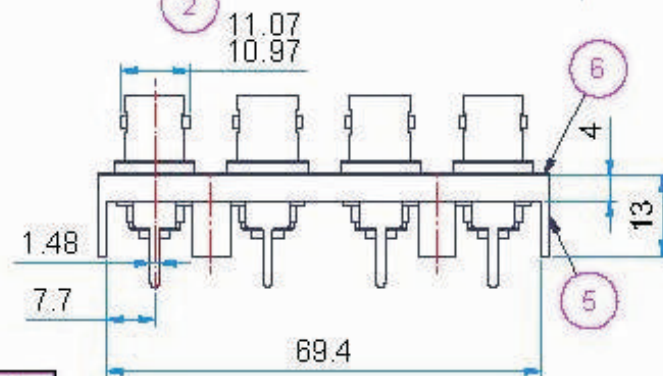
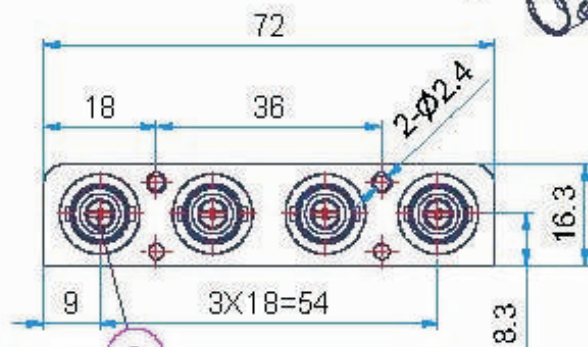


P.C.B Layout (1:1)



6	BNC-217-03	Mount	Iron	Ni	1
5	BNC-217-01	Bracket	ABS	Black	1
4	BNC-159-001	Steel Wire-02	Brass	Ni	4
3	BNC-159-002	Steel Wire-01	Brass	Ni	4
2	BNC-155-01	Insulator	POM	White	4
1	BNC-155-02	Body	Zinc Alloy	Ni	4
NO.	DRAWNO.	TITLE	MATERIAL	FINISH	QTY

BNCA4-JD13-50-LF  
LEADFREE  
RoHS Compliant

**MORETHANALL**  
CONNECTORS  
ASSEMBLIES

PART NO. BNCA4-JD13-50

DWG NO. BNCA4-JD13-50

FILE NO.

UNIT / mm

SCALE 1:1

CHECKED BY CY

DRAWING BY

PROJECTION



TOLERANCES ARE

.X ± 0.2  
.XX ±  
.XXX ±  
AWG

DESCRIPTION:

AREA

REVISIONS

HK

DATE

焯倫股份有限公司