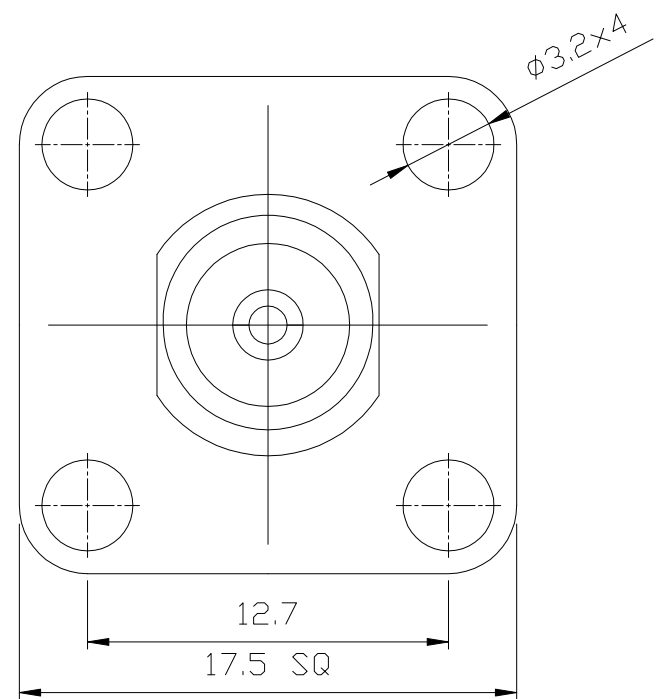
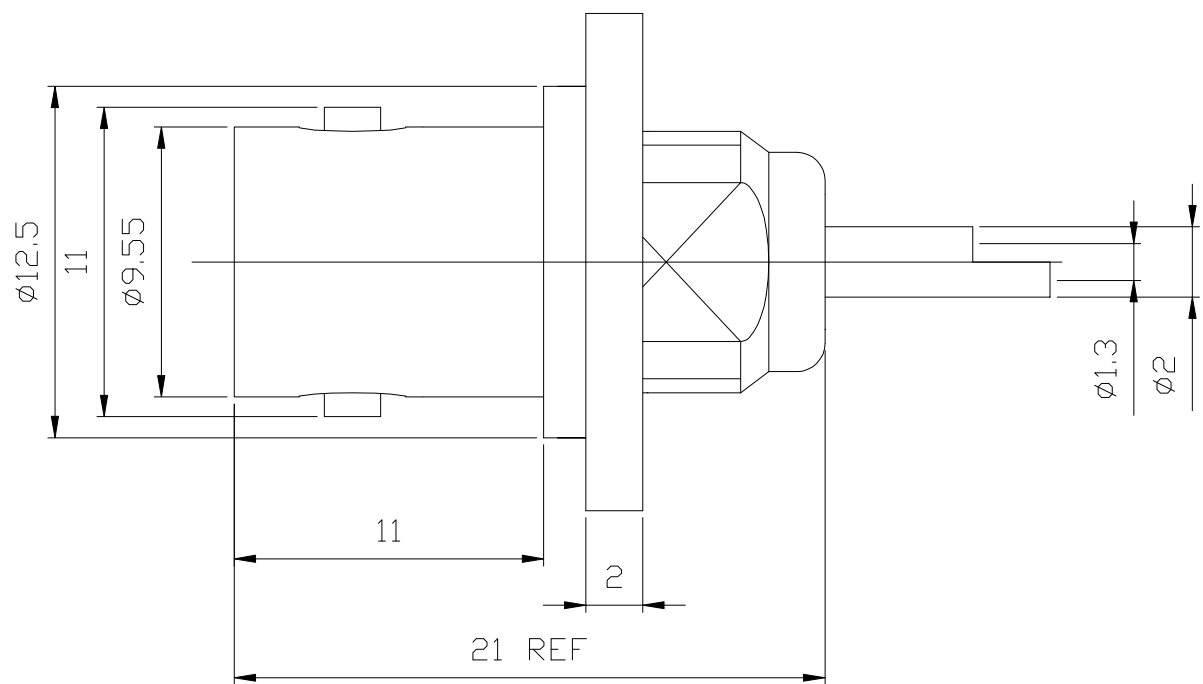


1 2 3 4 5 6 7 8 9 0

J
I
H
G
F
E
D
C
B
A



BNC-JSPQZA-50-LF
LEADFREE
RoHS Compliant

NO	DESCRIPTION	MATERIAL	FINISH	QTY
4	PANEL	BRASS	NICKEL	1
3	CENTER CONTACT	BRASS	GOLD	1
2	INSULATOR	DELIN	WHITE	1
1	BODY	ZINE	NICKEL	1

MORETHANALL
CONNECTORS
ASSEMBLIES

煜倫股份有限公司

PART NO. BNC-JSPQZA-50

DWG NO. BNC-JSPQZA-50

FILE NO.

UNIT / mm

SCALE 1:1

CHECKED BY CY

DRAWING BY

PROJECTION

TOLERANCES ARE
.X ± 0.2
.XX ±
.XXX ±
AWG

DESCRIPTION: BNC FEMALE CHASSIS MOUNT

AREA	REVISIONS	HK	DATE